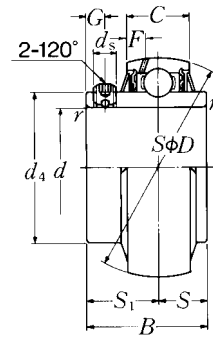


Ball bearings Set screw type

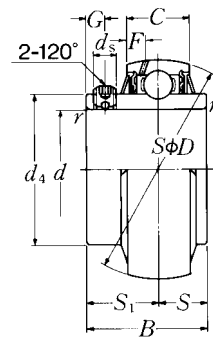


Shaft dia. mm inch	Bearing number ¹⁾	Nominal dimensions										
		<i>d</i>	<i>D</i>	<i>B</i>	<i>C</i>	<i>r</i> _s mm min.	<i>S</i>	inch <i>S</i> ₁	<i>G</i>	<i>d</i> _s	<i>d</i> ₁	<i>F</i>
12 1/2	UC201D1 UC201-008D1	12 0.5000	47 1.8504	31 1.2205	17 0.6693	0.6 0.024	12.7 0.500	18.3 0.720	4.5 0.177	M5 × 0.8 No.10-32UNF	29.6 1.1654	4.7 0.185
15 5/8	UC202D1 UC202-009D1 UC202-010D1	15 0.5625 0.6250	47 1.8504	31 1.2205	17 0.6693	0.6 0.024	12.7 0.500	18.3 0.720	4.5 0.177	M5 × 0.8 No.10-32UNF	29.6 1.1654	4.7 0.185
17 1 1/8	UC203D1 UC203-011D1	17 0.6875	47 1.8504	31 1.2205	17 0.6693	0.6 0.024	12.7 0.500	18.3 0.720	4.5 0.177	M5 × 0.8 No.10-32UNF	29.6 1.1654	4.7 0.185
20 3/4	UC204D1 UC204-012D1	20 0.7500	47 1.8504	31 1.2205	17 0.6693	1 0.039	12.7 0.500	18.3 0.720	4.5 0.177	M5 × 0.8 No.10-32UNF	29.6 1.1654	4.7 0.185
25 1 3/8 1 1/4 1	UC205D1 UC205-013D1 UC205-014D1 UC205-015D1 UC205-100D1	25 0.8125 0.8750 0.9375 1.0000	52 2.0472	34.1 1.3425	17 0.6693	1 0.039	14.3 0.563	19.8 0.780	5 0.197	M5 × 0.8 No.10-32UNF	33.9 1.3346	4.5 0.177
30 1 1/8 1 1/8 1 3/8 1 1/4	UC206D1 UC206-101D1 UC206-102D1 UC206-103D1 UC206-104D1	30 1.0625 1.1250 1.1875 1.2500	62 2.4409	38.1 1.5000	19 0.7480	1 0.039	15.9 0.626	22.2 0.874	5 0.197	M6 × 0.75 1/4-28UNF	40.8 1.6063	4.6 0.181
35 1 1/4 1 3/8 1 3/8 1 3/8	UC207D1 UC207-104D1 UC207-105D1 UC207-106D1 UC207-107D1	35 1.2500 1.3125 1.3750 1.4375	72 2.8346	42.9 1.6890	20 0.7874	1.5 0.059	17.5 0.689	25.4 1.000	6 0.236	M6 × 0.75 1/4-28UNF	46.8 1.8425	4.6 0.181
40 1 1/2 1 3/8	UC208D1 UC208-108D1 UC208-109D1	40 1.5000 1.5625	80 3.1496	49.2 1.9370	21 0.8268	1.5 0.059	19 0.748	30.2 1.189	8 0.315	M8 × 1 3/8-24UNF	53 2.0866	4.5 0.177
45 1 3/8 1 1/2 1 3/4	UC209D1 UC209-110D1 UC209-111D1 UC209-112D1	45 1.6250 1.6875 1.7500	85 3.3465	49.2 1.9370	22 0.8661	1.5 0.059	19 0.748	30.2 1.189	8 0.315	M8 × 1 3/8-24UNF	57.5 2.2638	4.9 0.193

Remarks: 1) These numbers indicate relubricatable type. If maintenance free type is needed, please order without suffix "D1".

Basic load ratings		Mass	
N dynamic C_r	lbf static C_{or}	kg	lb
12 800	6 650	0.21	
2 890	1 500	0.46	
12 800	6 650	0.20	
2 890	1 500	0.44	0.42
12 800	6 650	0.18	
2 890	1 500	0.39	
12 800	6 650	0.17	
2 890	1 500	0.39	
14 000	7 850	0.20	0.53
3 150	1 770	0.51	0.46
		0.46	0.44
19 500	11 300	0.33	0.82
4 400	2 540	0.77	0.73
		0.73	0.66
25 700	15 300	0.49	1.21
5 750	3 450	1.15	1.08
		1.08	1.01
29 100	17 800	0.65	
6 550	4 000	1.52	1.46
		1.46	
32 500	20 400	0.70	
7 350	4 600	1.76	1.68
		1.68	1.57

Ball bearings
Set screw type

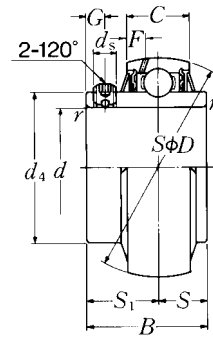


Shaft dia.	Bearing number ¹⁾	Nominal dimensions										
		<i>d</i>	<i>D</i>	<i>B</i>	<i>C</i>	<i>r</i> _s mm min.	<i>S</i>	inch <i>S</i> ₁	<i>G</i>	<i>d</i> _s	<i>d</i> ₁	<i>F</i>
50	UC210D1	50	90	51.6	24	1.5	19	32.6	9	M8 × 1	62.4	5.9
1! ¹ / ₁₆	UC210-113D1	1.8125										
1 ¹ / ₈	UC210-114D1	1.8750	3.5433	2.0315	0.9449	0.059	0.748	1.283	0.354	¹ / ₁₆ -24UNF	2.4567	0.232
1! ¹ / ₈	UC210-115D1	1.9375										
2	UC210-200D1	2.0000										
55	UC211D1	55	100	55.6	25	2	22.2	33.4	9	M8 × 1	69	6.0
2	UC211-200D1	2.0000										
2! ¹ / ₁₆	UC211-201D1	2.0625	3.9370	2.1890	0.9843	0.079	0.874	1.315	0.354	¹ / ₁₆ -24UNF	2.7165	0.236
2! ¹ / ₈	UC211-202D1	2.1250										
2 ¹ / ₁₆	UC211-203D1	2.1875										
60	UC212D1	60	110	65.1	27	2	25.4	39.7	10	M10 × 1.25	77	6.2
2! ¹ / ₄	UC212-204D1	2.2500										
2 ¹ / ₁₆	UC212-205D1	2.3125	4.3307	2.5630	1.0630	0.079	1.000	1.563	0.394	¹ / ₈ -24UNF	3.0315	0.244
2 ¹ / ₈	UC212-206D1	2.3750										
2 ¹ / ₁₆	UC212-207D1	2.4375										
65	UC213D1	65	120	65.1	32	2	25.4	39.7	10	M10 × 1.25	82.5	8.7
2! ¹ / ₂	UC213-208D1	2.5000	4.7244	2.5630	1.2598	0.079	1.000	1.563	0.394	¹ / ₈ -24UNF	3.2480	0.343
2 ¹ / ₁₆	UC213-209D1	2.5625										
70	UC214D1	70	125	74.6	33	2	30.2	44.4	12	M10 × 1.25	87	8.8
2 ¹ / ₈	UC214-210D1	2.6250										
2! ¹ / ₁₆	UC214-211D1	2.6875	4.9213	2.9370	1.2992	0.079	1.189	1.748	0.472	¹ / ₈ -24UNF	3.4252	0.346
2 ¹ / ₄	UC214-212D1	2.7500										
75	UC215D1	75	130	77.8	34	2	33.3	44.5	12	M10 × 1.25	93	9.0
2! ¹ / ₁₆	UC215-213D1	2.8125										
2 ¹ / ₈	UC215-214D1	2.8750	5.1181	3.0630	1.3386	0.079	1.311	1.752	0.472	¹ / ₈ -24UNF	3.6614	0.354
2! ¹ / ₁₆	UC215-215D1	2.9375										
3	UC215-300D1	3.0000										
80	UC216D1	80	140	82.6	35	2.5	33.3	49.3	12	M10 × 1.25	98.1	9.5
3! ¹ / ₁₆	UC216-301D1	3.0625										
3! ¹ / ₈	UC216-302D1	3.1250	5.5118	3.2520	1.3780	0.098	1.311	1.941	0.472	¹ / ₈ -24UNF	3.8622	0.374
3 ¹ / ₁₆	UC216-303D1	3.1875										

Remarks: 1) These numbers indicate relubricatable type. If maintenance free type is needed, please order without suffix "D1".

Basic load ratings		Mass	
N dynamic C_r	lbf static C_{or}	kg	lb
35 000	23 200	0.80	2.03
7 900	5 200	1.92	1.81
		1.69	
43 500	29 200	1.08	2.71
9 750	6 550	2.60	2.46
		2.34	
52 500	36 000	1.53	3.66
11 800	8 150	3.50	3.33
		3.17	
57 500	40 000	1.85	4.26
12 900	9 000	4.09	
62 000	44 000	2.10	5.09
14 000	9 900	4.87	4.65
66 000	49 500	2.35	5.73
14 900	11 100	5.49	5.25
		4.98	
72 500	53 000	2.80	6.57
16 300	11 900	6.28	6.00

Ball bearings
Set screw type



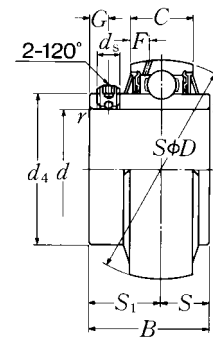
Shaft dia.	Bearing number ¹⁾	Nominal dimensions										
		d	D	B	C	r_s mm min.	S mm	S_1 inch	G	d_s	d_4	F
85	UC217D1	85	150	85.7	36	2.5	34.1	51.6	12	M12 × 1.5	106.4	10.1
3 1/4	UC217-304D1	3.2500										
3 5/16	UC217-305D1	3.3125	5.9055	3.3740	1.4173	0.098	1.343	2.031	0.472	1/2-20UNF	4.1890	0.398
3 7/16	UC217-307D1	3.4375										
90	UC218D1	90	160	96	37	2.5	39.7	56.3	12	M12 × 1.5	111.6	9.8
3 1/2	UC218-308D1	3.5000	6.2992	3.7795	1.4570	0.098	1.563	2.217	0.472	1/2-20UNF	4.3937	0.386

Remarks: 1) These numbers indicate relubricatable type. If maintenance free type is needed, please order without suffix "D1".

Basic load ratings		Mass	
N dynamic C_r	lbf static C_{or}	kg	lb
83 500	64 000	3.37	7.92
18 700	14 300	7.60	6.97
96 000	71 500	4.36	
21 600	16 100	9.88	

Ball bearings

Set screw type

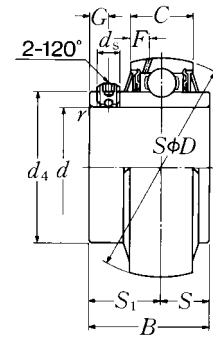


Shaft dia.	Bearing number ¹⁾	Nominal dimensions										
		<i>d</i>	<i>D</i>	<i>B</i>	<i>C</i>	<i>r</i> _s mm min.	<i>S</i>	inch <i>S</i> ₁	<i>G</i>	<i>d</i> _s	<i>d</i> ₄	<i>F</i>
25	UC305D1	25	62	38	20	1.5	15	23	6	M6 × 0.75	36.8	5.0
1 ¹ / ₁₆	UC305-013D1	0.8125										
5 ⁸ / ₁₆	UC305-014D1	0.8750	2.4409	1.4961	0.7874	0.059	0.591	0.906	0.236	1/4-28UNF	1.4488	0.197
1 ¹ / ₈	UC305-015D1	0.9375										
1	UC305-100D1	1.0000										
30	UC306D1	30	72	43	23	1.5	17	26	6	M6 × 0.75	44.9	5.9
1 ¹ / ₁₆	UC306-101D1	1.0625										
1 ¹ / ₈	UC306-102D1	1.1250	2.8346	1.6929	0.9055	0.059	0.669	1.024	0.236	1/4-28UNF	1.7677	0.232
1 ¹ / ₁₆	UC306-103D1	1.1875										
35	UC307D1	35	80	48	25	2	19	29	8	M8 × 1	49.4	6.8
1 ¹ / ₄	UC307-104D1	1.2500										
1 ¹ / ₁₆	UC307-105D1	1.3125	3.1496	1.8898	0.9843	0.079	0.748	1.142	0.315	3/16-24UNF	1.9449	0.268
1 ¹ / ₈	UC307-106D1	1.3750										
1 ¹ / ₁₆	UC307-107D1	1.4375										
40	UC308D1	40	90	52	27	2	19	33	10	M10 × 1.25	56	7.4
1 ¹ / ₂	UC308-108D1	1.5000	3.5433	2.0472	1.0630	0.079	0.748	1.299	0.394	3/8-24UNF	2.2047	0.291
1 ¹ / ₁₆	UC308-109D1	1.5625										
45	UC309D1	45	100	57	29	2	22	35	10	M10 × 1.25	63.5	7.4
1 ¹ / ₈	UC309-110D1	1.6250										
1 ¹ / ₁₆	UC309-111D1	1.6875	3.9370	2.2441	1.1417	0.079	0.866	1.378	0.394	3/8-24UNF	2.5000	0.291
1 ¹ / ₄	UC309-112D1	1.7500										
50	UC310D1	50	110	61	32	2.5	22	39	12	M12 × 1.5	70.6	8.1
1 ¹ / ₁₆	UC310-113D1	1.8125										
1 ¹ / ₈	UC310-114D1	1.8750	4.3307	2.4016	1.2598	0.098	0.866	1.535	0.472	1/2-20UNF	2.7795	0.319
1 ¹ / ₁₆	UC310-115D1	1.9375										
55	UC311D1	55	120	66	34	2.5	25	41	12	M12 × 1.5	76.6	8.5
2	UC311-200D1	2.0000										
2 ¹ / ₁₆	UC311-201D1	2.0625	4.7244	2.5984	1.3386	0.098	0.984	1.614	0.472	1/2-20UNF	3.0157	0.335
2 ¹ / ₈	UC311-202D1	2.1250										
2 ¹ / ₁₆	UC311-203D1	2.1875										

Remarks: 1) These numbers indicate relubricatable type. If maintenance free type is needed, please order without suffix "D1".

Basic load ratings		Mass	
N dynamic C_r	lbf static C_{or}	kg	lb
21 200	10 900	0.35	0.88
4 750	2 460	0.84	0.79
		0.77	
26 700	15 000	0.56	1.34
6 000	3 400	1.28	1.23
		1.23	
33 500	19 100	0.71	1.70
7 500	4 300	1.63	1.57
		1.57	1.50
40 500	24 000	0.96	2.23
9 150	5 400	2.23	2.14
		2.14	
53 000	32 000	1.28	3.06
11 900	7 200	2.98	2.87
		2.87	
62 000	38 500	1.65	3.95
13 900	8 600	3.84	3.70
		3.70	
71 500	45 000	2.07	4.96
16 100	10 100	4.81	4.67
		4.67	4.50

Ball bearings
Set screw type

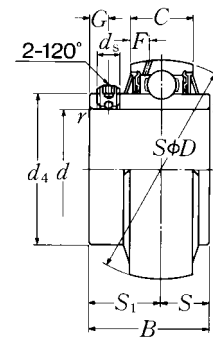


Shaft dia.	Bearing number ¹⁾	Nominal dimensions										
		<i>d</i>	<i>D</i>	<i>B</i>	<i>C</i>	<i>r</i> _s mm min.	<i>S</i>	inch <i>S</i> ₁	<i>G</i>	<i>d</i> _s	<i>d</i> ₁	<i>F</i>
60	UC312D1	60	130	71	36	2.5	26	45	12	M12 × 1.5	82.7	9.0
2¼	UC312-204D1	2.2500										
2⅞	UC312-205D1	2.3125	5.1181	2.7953	1.4173	0.098	1.024	1.772	0.472	½-20UNF	3.2559	0.354
2⅝	UC312-206D1	2.3750										
2⅞	UC312-207D1	2.4375										
65	UC313D1	65	140	75	39	2.5	30	45	12	M12 × 1.5	88.2	10.1
2½	UC313-208D1	2.5000	5.5118	2.9528	1.5354	0.098	1.181	1.772	0.472	½-20UNF	3.4724	0.398
2⅞	UC313-209D1	2.5625										
70	UC314D1	70	150	78	41	2.5	33	45	12	M12 × 1.5	94.8	10.5
2⅝	UC314-210D1	2.6250										
2⅞	UC314-211D1	2.6875	5.9055	3.0709	1.6142	0.098	1.299	1.772	0.472	½-20UNF	3.7323	0.413
2⅝	UC314-212D1	2.7500										
75	UC315D1	75	160	82	43	2.5	32	50	14	M14 × 1.5	101.3	11.0
2⅞	UC315-213D1	2.8125										
2⅝	UC315-214D1	2.8750	6.2992	3.2283	1.6929	0.098	1.260	1.969	0.551	⅜-18UNF	3.9882	0.433
2⅞	UC315-215D1	2.9375										
3	UC315-300D1	3.0000										
80	UC316D1	80	170	86	45	2.5	34	52	14	M14 × 1.5	107.9	11.4
3⅞	UC316-301D1	3.0625										
3⅝	UC316-302D1	3.1250	6.6929	3.3858	1.7717	0.098	1.339	2.047	0.551	⅜-18UNF	4.2480	0.449
3⅞	UC316-303D1	3.1875										
85	UC317D1	85	180	96	47	3	40	56	16	M16 × 1.5	114.4	12.0
3¼	UC317-304D1	3.2500										
3⅞	UC317-305D1	3.3125	7.0866	3.7795	1.8504	0.118	1.575	2.205	0.630	⅝-18UNF	4.5039	0.472
3⅞	UC317-307D1	3.4375										
90	UC318D1	90	190	96	49	3	40	56	16	M16 × 1.5	120.9	12.3
3⅞	UC318-307D1	3.4375	7.4803	3.7795	1.9291	0.118	1.575	2.205	0.630	⅝-18UNF	4.7598	0.484
3½	UC318-308D1	3.5000										

Remarks: 1) These numbers indicate relubricatable type. If maintenance free type is needed, please order without suffix "D1".

Basic load ratings		Mass	
N dynamic C_r	lbf static C_{or}	kg	lb
82 000	52 000	2.60	6.06
18 400	11 700	5.89	5.68
		5.51	
92 500	60 000	3.25	
20 800	13 400	7.36	7.14
104 000	68 000	3.89	
23 400	15 300	9.06	8.82
		8.60	
113 000	77 000	4.72	
25 500	17 400	11.0	10.7
		10.5	10.2
123 000	86 500	5.55	
27 600	19 500	12.6	12.3
		12.1	
133 000	97 000	6.67	
29 800	21 800	15.2	14.9
		14.2	
143 000	107 000	7.56	
32 000	24 100	17.3	16.9

Ball bearings
Set screw type



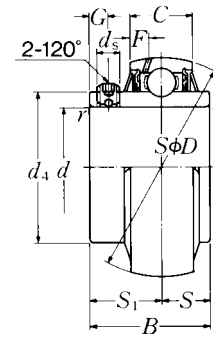
Shaft dia.	Bearing number ¹⁾	Nominal dimensions										
		<i>d</i>	<i>D</i>	<i>B</i>	<i>C</i>	<i>r</i> _s min.	<i>S</i>	inch <i>S</i> ₁	<i>G</i>	<i>d</i> _s	<i>d</i> ₄	<i>F</i>
95	UC319D1	95	200	103	51	3	41	62	16	M16 × 1.5	127.5	12.8
3³/₈	UC319-310D1	3.6250										
3¹/₂	UC319-311D1	3.6875	7.8740	4.0551	2.0079	0.118	1.614	2.441	0.630	3 / ₈ -18UNF	5.0197	0.504
3⁷/₈	UC319-312D1	3.7500										
100	UC320D1	100	215	108	55	3	42	66	18	M18 × 1.5	135.6	13.5
3¹/₂	UC320-313D1	3.8125										
3³/₈	UC320-314D1	3.8750	8.4646	4.2520	2.1654	0.118	1.654	2.598	0.709	3 / ₈ -18UNF	5.3386	0.531
3¹/₂	UC320-315D1	3.9375										
4	UC320-400D1	4.0000										
105	UC321D1	105	225	112	57	3	44	68	18	M18 × 1.5	142.1	13.9
110	UC322D1	110	240	117	59	3	46	71	18	M18 × 1.5	151.7	13.9
120	UC324D1	120	260	126	63	3	51	75	18	M18 × 1.5	165.2	16.0
130	UC326D1	130	280	135	67	4	54	81	20	M20 × 1.5	178.3	16.9
140	UC328D1	140	300	145	71	4	59	86	20	M20 × 1.5	190.4	17.7

Remarks: 1) These numbers indicate relubricatable type. If maintenance free type is needed, please order without suffix "D1".

Basic load ratings		Mass	
N dynamic C_r	lbf static C_{or}	kg	lb
153 000	119 000	8.70	19.9
34 500	26 600	19.5	19.1
173 000	141 000	10.8	24.7
39 000	31 500	24.2	23.8
		23.4	
184 000	153 000	12.2	
205 000	179 000	14.3	
207 000	185 000	18.5	
229 000	214 000	23.0	
253 000	246 000	28.5	

Ball bearings

Set screw type



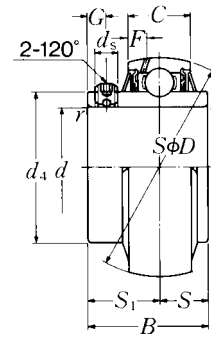
Shaft dia.	Bearing number ¹⁾	Nominal dimensions										
		<i>d</i>	<i>D</i>	<i>B</i>	<i>C</i>	<i>r_s</i> mm min.	<i>S</i>	inch <i>S₁</i>	<i>G</i>	<i>d_s</i>	<i>d₁</i>	<i>F</i>
25	UCX05D1	25	62	38.1	19	1	15.9	22.2	5	M6 × 0.75	40.8	5.1
1 ¹ / ₁₆	UCX05-013D1	0.8125										
5 ⁸ / ₁₆	UCX05-014D1	0.8750	2.4409	1.5000	0.7480	0.039	0.626	0.874	0.197	1 ¹ / ₄ -28UNF	1.6063	0.201
1 ¹ / ₁₆	UCX05-015D1	0.9375										
1	UCX05-100D1	1.0000										
30	UCX06D1	30	72	42.9	20	1	17.5	25.4	6	M8 × 1	46.8	5.6
1 ¹ / ₁₆	UCX06-101D1	1.0625										
1 ¹ / ₈	UCX06-102D1	1.1250	2.8346	1.6890	0.7874	0.039	0.689	1.000	0.236	3 ¹ / ₁₆ -24UNF	1.8425	0.220
1 ¹ / ₁₆	UCX06-103D1	1.1875										
35	UCX07D1	35	80	49.2	21	1.5	19	30.2	8	M8 × 1	53	6.0
1 ¹ / ₁₆	UCX07-105D1	1.3125										
1 ¹ / ₈	UCX07-106D1	1.3750	3.1496	1.9370	0.8268	0.059	0.748	1.189	0.315	3 ¹ / ₁₆ -24UNF	2.0866	0.236
1 ¹ / ₁₆	UCX07-107D1	1.4375										
40	UCX08D1	40	85	49.2	22	1.5	19	30.2	8	M8 × 1	57.5	5.9
1 ¹ / ₂	UCX08-108D1	1.5000	3.3465	1.9370	0.8661	0.059	0.748	1.189	0.315	3 ¹ / ₁₆ -24UNF	2.2638	0.232
1 ¹ / ₁₆	UCX08-109D1	1.5625										
45	UCX09D1	45	90	51.6	24	1.5	19	32.6	9	M10 × 1.25	62.4	6.4
1 ¹ / ₈	UCX09-110D1	1.6250										
1 ¹ / ₁₆	UCX09-111D1	1.6875	3.5433	2.0315	0.9449	0.059	0.748	1.283	0.354	3 ¹ / ₈ -24UNF	2.4567	0.252
1 ¹ / ₄	UCX09-112D1	1.7500										
50	UCX10D1	50	100	55.6	25	1.5	22.2	33.4	9	M10 × 1.25	69	7.0
1 ¹ / ₈	UCX10-114D1	1.8750	3.9370	2.1890	0.9843	0.059	0.874	1.315	0.354	3 ¹ / ₈ -24UNF	2.7165	0.276
1 ¹ / ₁₆	UCX10-115D1	1.9375										
55	UCX11D1	55	110	65.1	27	2	25.4	39.7	10	M10 × 1.25	77	7.7
2 ¹ / ₁₆	UCX11-201D1	2.0625										
2 ¹ / ₈	UCX11-202D1	2.1250	4.3307	2.5630	1.0630	0.079	1.000	1.563	0.394	3 ¹ / ₈ -24UNF	3.0315	0.303
2 ¹ / ₁₆	UCX11-203D1	2.1875										
60	UCX12D1	60	120	65.1	32	2	25.4	39.7	10	M10 × 1.25	82.5	8.7
2 ¹ / ₈	UCX12-206D1	2.3750	4.7244	2.5630	1.2598	0.079	1.000	1.563	0.394	3 ¹ / ₈ -24UNF	3.2480	0.343
2 ¹ / ₁₆	UCX12-207D1	2.4375										

Remarks: 1) These numbers indicate relubricatable type. If maintenance free type is needed, please order without suffix "D1".

Basic load ratings		Mass	
N dynamic C_r	lbf static C_{or}	kg	lb
19 500	11 300	0.39	0.97
4 400	2 540	0.93	0.88
		0.84	
25 700	15 300	0.68	1.61
5 750	3 450	1.54	1.50
		1.50	
29 100	17 800	0.82	1.87
6 550	4 000	1.81	1.74
		1.74	
32 500	20 400	0.93	2.16
7 350	4 600	2.16	2.07
		2.07	
35 000	23 200	1.00	2.43
7 900	5 200	2.34	2.25
		2.25	
43 500	29 200	1.35	3.15
9 750	6 550	3.15	3.04
		3.04	
52 500	36 000	1.90	4.43
11 800	8 150	4.30	4.12
		4.12	
57 500	40 000	2.27	4.96
12 900	9 000	4.96	4.81
		4.81	

Ball bearings

Set screw type

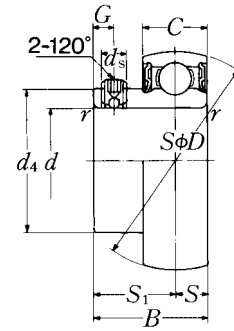


Shaft dia.	Bearing number ¹⁾	Nominal dimensions										
		<i>d</i>	<i>D</i>	<i>B</i>	<i>C</i>	<i>r</i> _s min.	<i>S</i>	inch <i>S</i> ₁	<i>G</i>	<i>d</i> _s	<i>d</i> ₁	<i>F</i>
65	UCX13D1	65	125	74.6	33	2	30.2	44.4	12	M12 × 1.5	87	8.8
2 1/2	UCX13-208D1	2.5000	4.9213	2.9370	1.2992	0.079	1.189	1.748	0.472	1/2-20UNF	3.4252	0.346
2 7/8	UCX13-209D1	2.5625										
70	UCX14D1	70	130	77.8	34	2	33.3	44.5	12	M12 × 1.5	93	9.0
2 3/8	UCX14-210D1	2.6250										
2 1 1/8	UCX14-211D1	2.6875	5.1181	3.0630	1.3386	0.079	1.311	1.752	0.472	1/2-20UNF	3.6614	0.354
2 3/4	UCX14-212D1	2.7500										
75	UCX15D1	75	140	82.6	35	2	33.3	49.3	12	M12 × 1.5	98.1	9.5
2 1 3/8	UCX15-213D1	2.8125										
2 3/8	UCX15-214D1	2.8750	5.5118	3.2520	1.3780	0.079	1.311	1.941	0.472	1/2-20UNF	3.8622	0.374
2 1 1/2	UCX15-215D1	2.9375										
3	UCX15-300D1	3.0000										
80	UCX16D1	80	150	85.7	36	2.5	34.1	51.6	12	M12 × 1.5	106.4	10.1
3 1/8	UCX16-301D1	3.0625										
3 1/8	UCX16-302D1	3.1250	5.9055	3.3740	1.4173	0.098	1.343	2.031	0.472	1/2-20UNF	4.1890	0.398
3 3/8	UCX16-303D1	3.1875										
85	UCX17D1	85	160	96	37	2.5	39.7	56.3	12	M12 × 1.5	111.6	9.8
3 3/8	UCX17-305D1	3.3125	6.2992	3.7795	1.4567	0.098	1.563	2.217	0.472	1/2-20UNF	4.3937	0.386
3 3/8	UCX17-307D1	3.4375										
90	UCX18D1	90	170	104	39	2.5	42.9	61.1	14	M14 × 1.5	118.2	10.5
3 3/8	UCX18-307D1	3.4375	6.6929	4.0945	1.5354	0.098	1.689	2.406	0.551	3/8-18UNF	4.6535	0.413
3 1/2	UCX18-308D1	3.5000										
100	UCX20D1	100	190	117.5	44	2.5	49.2	68.3	16	M16 × 1.5	131.3	11.3
3 1 3/8	UCX20-313D1	3.8125										
3 3/8	UCX20-314D1	3.8750	7.4803	4.6260	1.7323	0.098	1.937	2.689	0.630	3/8-18UNF	5.1693	0.445
3 1 1/2	UCX20-315D1	3.9375										
4	UCX20-400D1	4.0000										

Remarks: 1) These numbers indicate relubricatable type. If maintenance free type is needed, please order without suffix "D1".

Basic load ratings		Mass	
N dynamic C_r	lbf static C_{or}	kg	lb
62 000	44 000	2.45	
14 000	9 900	5.60	
		5.38	
66 000	49 500	2.47	
		5.93	
14 900	11 100	5.69	
		5.47	
72 500	53 000	3.11	
		7.43	
16 300	11 900	7.19	
		6.92	
		6.66	
83 500	64 000	3.79	
		8.75	
18 700	14 300	8.47	
		8.18	
96 000	71 500	4.82	
		10.8	
21 600	16 100	10.1	
109 000	82 000	5.51	
		13.3	
24 500	18 400	12.4	
133 000	105 000	8.95	
		18.8	
		18.8	
29 900	23 500	18.4	
		19.7	
		19.2	

Ball bearings
Set screw type

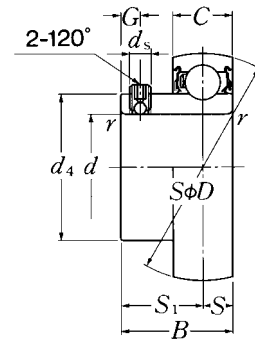


Shaft dia. mm inch	Bearing number ¹⁾	Nominal dimensions									
		<i>d</i>	<i>D</i>	<i>B</i>	<i>C</i>	mm <i>r_s</i> min.	inch <i>S</i>	<i>S₁</i>	<i>G</i>	<i>d_s</i>	<i>d₁</i>
12 1/2	AS201 AS201-008	12 0.5000	40 1.5748	22 0.8661	12 0.4724	0.6 0.024	6 0.236	16 0.630	4.2 0.165	M5 × 0.8 No.10-32UNF	24.3 0.957
15 5/8	AS202 AS202-009 AS202-010	15 0.5625 0.6250	40 1.5748	22 0.8661	12 0.4724	0.6 0.024	6 0.236	16 0.630	4.2 0.165	M5 × 0.8 No.10-32UNF	24.3 0.957
17 1 1/8	AS203 AS203-011	17 0.6875	40 1.5748	22 0.8661	12 0.4724	0.6 0.024	6 0.236	16 0.630	4.2 0.165	M5 × 0.8 No.10-32UNF	24.3 0.957
20 3/4	AS204 AS204-012	20 0.7500	47 1.8504	25 0.9843	14 0.5512	1 0.039	7 0.276	18 0.709	4.2 0.165	M5 × 0.8 No.10-32UNF	29.6 1.165
25 1 3/8 1 1/4 1	AS205 AS205-013 AS205-014 AS205-015 AS205-100	25 0.8125 0.8750 0.9375 1.0000	52 2.0472	27 1.0630	15 0.5906	1 0.039	7.5 0.295	19.5 0.768	5 0.197	M5 × 0.8 No.10-32UNF	33.9 1.335
30 1 1/8 1 1/8 1 3/8 1 1/4	AS206 AS206-101 AS206-102 AS206-103 AS206-104	30 1.0625 1.1250 1.1875 1.2500	62 2.4409	29 1.1417	16 0.6299	1 0.039	8 0.315	21 0.827	5 0.197	M6 × 0.75 1/4-28UNF	40.8 1.606
35 1 1/4 1 3/8 1 7/8 1 3/4	AS207 AS207-104 AS207-105 AS207-106 AS207-107	35 1.2500 1.3125 1.3750 1.4375	72 2.8346	34 1.3386	17 0.6693	1.5 0.059	8.5 0.335	25.5 1.004	6 0.236	M6 × 0.75 1/4-28UNF	46.8 1.843
40 1 1/2 1 3/8	AS208 AS208-108 AS208-109	40 1.5000 1.5625	80 3.1496	38 1.4961	18 0.7087	1.5 0.059	9 0.354	29 1.142	8 0.315	M8 × 1 3/8-24UNF	53 2.087

Remarks: 1) If relubricatable type is needed, please order with suffix "D1".

Basic load ratings		Mass	
N dynamic C_r	lbf static C_{or}	kg	lb
9 600	4 600	0.10	
2 160	1 030	0.22	
9 600	4 600	0.09	
2 160	1 030	0.21	0.20
9 600	4 600	0.08	
2 160	1 030	0.18	
12 800	6 650	0.13	
2 890	1 500	0.29	
14 000	7 850	0.16	0.42
3 150	1 770	0.40	0.38
		0.35	
19 500	11 300	0.25	0.61
4 400	2 540	0.59	0.57
		0.55	
25 700	15 300	0.37	1.06
5 750	3 450	0.93	0.81
		0.69	
29 100	17 800	0.50	1.15
6 550	4 000	1.15	1.06

Ball bearings
Set screw type

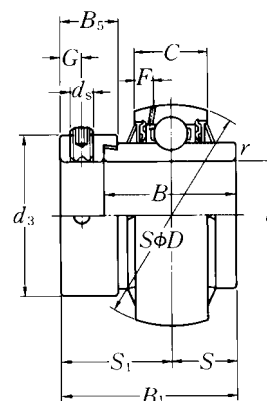


Shaft dia. mm inch	Bearing number ¹⁾	Nominal dimensions									
		<i>d</i>	<i>D</i>	<i>B</i>	<i>C</i>	mm <i>r_s</i> min.	inch <i>S</i>	<i>S₁</i>	<i>G</i>	<i>d_s</i>	<i>d₄</i>
12 1/2	AR201 AR201-008	12 0.5000	40 1.5748	22.5 0.8858	13 0.5118	0.6 0.024	6.5 0.256	16 0.630	5 0.197	M6 × 0.75 1/4-28UNF	24.4 0.9606
15 5/8	AR202 AR202-009 AR202-010	15 0.5625 0.6250	40 1.5748	22.5 0.8858	13 0.5118	0.6 0.024	6.5 0.256	16 0.630	5 0.197	M6 × 0.75 1/4-28UNF	24.4 0.9606
17 1 1/8	AR203 AR203-011	17 0.6875	40 1.5748	22.5 0.8858	13 0.5118	0.6 0.024	6.5 0.256	16 0.630	5 0.197	M6 × 0.75 1/4-28UNF	24.4 0.9606
20 3/4	AR204 AR204-012	20 0.7500	47 1.8504	25.5 1.0039	15 0.5906	1 0.039	7.5 0.295	18 0.709	5 0.197	M6 × 0.75 1/4-28UNF	29.6 1.1654
25 1 1/4 1 1/8 1 3/8 1	AR205 AR205-013 AR205-014 AR205-015 AR205-100	25 0.8125 0.8750 0.9375 1.0000	52 2.0472	27 1.0630	15 0.5906	1 0.039	7.5 0.295	19.5 0.768	5 0.197	M6 × 0.75 1/4-28UNF	33.9 1.3346
30 1 1/4 1 1/8 1 3/8 1 1/2	AR206 AR206-101 AR206-102 AR206-103 AR206-104	30 1.0625 1.1250 1.1875 1.2500	62 2.4409	30 1.1811	18 0.7087	1 0.039	9 0.354	21 0.827	5 0.197	M6 × 0.75 1/4-28UNF	40.8 1.6063
35 1 1/4 1 3/8 1 7/8 1 7/8	AR207 AR207-104 AR207-105 AR207-106 AR207-107	35 1.2500 1.3125 1.3750 1.4375	72 2.8346	35 1.3780	19 0.7480	1.5 0.059	9.5 0.374	25.5 1.004	6 0.236	M6 × 0.75 1/4-28UNF	46.8 1.8425
40 1 1/2 1 3/4	AR208 AR208-108 AR208-109	40 1.5000 1.5625	80 3.1496	40 1.5748	22 0.8661	1.5 0.059	11 0.433	29 1.142	8 0.315	M8 × 1 3/8-24UNF	53 2.0866

Remarks: 1) If relubricatable type is needed, please order with suffix "D1".

Basic load ratings		Mass	
N dynamic C_r	lbf static C_{or}	kg	lb
9 600	4 600	0.11	
2 160	1 030	0.24	
9 600	4 600	0.10	
2 160	1 030	0.23	0.22
9 600	4 600	0.09	
2 160	1 030	0.20	
12 800	6 650	0.14	
2 890	1 500	0.31	
14 000	7 850	0.17	0.44
3 150	1 770	0.42	0.40
		0.40	0.37
19 500	11 300	0.26	0.63
4 400	2 540	0.61	0.59
		0.59	0.57
25 700	15 300	0.39	1.10
5 750	3 450	0.97	0.85
		0.85	0.73
29 100	17 800	0.54	1.24
6 550	4 000	1.24	1.15

Ball bearings
Eccentric locking collar type

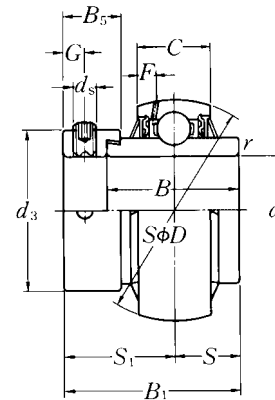


Shaft dia.	Bearing number ¹⁾	Nominal dimensions										
		<i>d</i>	<i>D</i>	<i>B</i> ₁	<i>B</i>	<i>C</i>	<i>r</i> _s min.	<i>S</i>	<i>S</i> ₁	<i>G</i>	<i>d</i> _s	<i>d</i> ₃
mm inch						mm	inch					
20	UEL204D1W3	20	47	43.7	34.2	17	1	17.1	26.6	4.8	M6 × 0.75	33
#4	UEL204-012D1W3	0.7500	1.8504	1.720	1.3465	0.6693	0.039	0.673	1.047	0.189	!#-28UNF	1.299
25	UEL205D1W3	25	52	44.4	34.9	17	1	17.5	26.9	4.8	M6 × 0.75	38
1#7/6	UEL205-013D1W3	0.8125										
8/8	UEL205-014D1W3	0.8750	2.0472	1.748	1.3740	0.6693	0.039	0.689	1.059	0.189	!#-28UNF	1.496
1#7/6	UEL205-015D1W3	0.9375										
1	UEL205-100D1W3	1.0000										
30	UEL206D1W3	30	62	48.4	36.5	19	1	18.3	30.1	6	M8 × 1	44.5
1!7/6	UEL206-101D1W3	1.0625										
1!8	UEL206-102D1W3	1.1250	2.4409	1.906	1.4370	0.7480	0.039	0.720	1.185	0.236	7/6-24UNF	1.752
1#7/6	UEL206-103D1W3	1.1875										
1!4	UEL206-104D1W3	1.2500										
35	UEL207D1W3	35	72	51.1	37.6	20	1.5	18.8	32.3	6.8	M10 × 1.25	55.5
1!4	UEL207-104D1W3	1.2500										
1#7/6	UEL207-105D1W3	1.3125	2.8346	2.012	1.4803	0.7874	0.059	0.740	1.272	0.268	#8-24UNF	2.185
1#8	UEL207-106D1W3	1.3750										
1&7/6	UEL207-107D1W3	1.4375										
40	UEL208D1W3	40	80	56.3	42.8	21	1.5	21.4	34.9	6.8	M10 × 1.25	60
1!2	UEL208-108D1W3	1.5000	3.1496	2.217	1.6850	0.8268	0.059	0.843	1.374	0.268	#8-24UNF	2.362
1(7/6	UEL208-109D1W3	1.5625										
45	UEL209D1W3	45	85	56.3	42.8	22	1.5	21.4	34.9	6.8	M10 × 1.25	63.5
1#8	UEL209-110D1W3	1.6250										
1!!7/6	UEL209-111D1W3	1.6875	3.3465	2.217	1.6850	0.8661	0.059	0.843	1.374	0.268	#8-24UNF	2.500
1#4	UEL209-112D1W3	1.7500										
50	UEL210D1W3	50	90	62.7	49.2	24	1.5	24.6	38.1	6.8	M10 × 1.25	69.5
1!#7/6	UEL210-113D1W3	1.8125										
1&8	UEL210-114D1W3	1.8750	3.5433	2.469	1.9370	0.9449	0.059	0.969	1.500	0.268	#8-24UNF	2.736
1!#7/6	UEL210-115D1W3	1.9375										
2	UEL210-200D1W3	2.0000										

Remarks: 1) These numbers indicate relubricatable type. If maintenance free type is needed, please order without suffix "D1".

Nominal dimensions		Basic load ratings		Mass
mm	inch	N dynamic C_r	lbf static C_{or}	kg lb
B_s	F			
13.5	4.7	12 800	6 650	0.23
0.531	0.185	2 890	1 500	0.45
13.5	4.5	14 000	7 850	0.27
0.531	0.177	3 150	1 770	0.61
				0.58
				0.55
				0.51
15.9	4.6	19 500	11 300	0.45
0.626	0.181	4 400	2 540	0.94
				0.89
				0.84
				0.80
17.5	4.6	25 700	15 300	0.60
0.689	0.181	5 750	3 450	1.45
				1.40
				1.35
				1.28
18.3	4.5	29 100	17 800	0.79
0.720	0.177	6 550	4 000	1.90
				1.82
18.3	4.9	32 500	20 400	0.85
0.720	0.193	7 350	4 600	2.05
				1.97
				1.88
18.3	5.9	35 000	23 200	0.98
0.720	0.232	7 900	5 200	2.46
				2.36
				2.25
				2.09

Ball bearings
Eccentric locking collar type

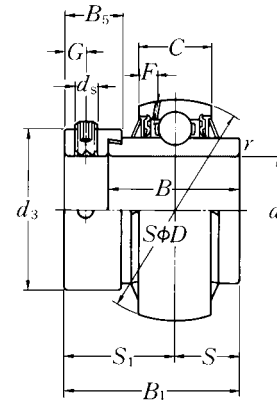


Shaft dia.	Bearing number ¹⁾	Nominal dimensions											
		<i>d</i>	<i>D</i>	<i>B₁</i>	<i>B</i>	<i>C</i>	<i>r₃</i> min.	<i>S</i>	<i>S₁</i>	<i>G</i>	<i>ds</i>	<i>d₃</i>	
mm inch						mm inch							
55	UEL211D1W3	55	100	71.4	55.5	25	2	27.8	43.6	8	M10 × 1.25	76	
2	UEL211-200D1W3	2.0000											
2 1/16	UEL211-201D1W3	2.0625	3.9370	2.811	2.1850	0.9843	0.079	1.094	1.717	0.315	#8-24UNF	2.992	
2 1/8	UEL211-202D1W3	2.1250											
2 3/16	UEL211-203D1W3	2.1875											
60	UEL212D1W3	60	110	77.8	61.9	27	2	31	46.8	8	M10 × 1.25	84	
2 1/4	UEL212-204D1W3	2.2500											
2 5/16	UEL212-205D1W3	2.3125	4.3307	3.063	2.4370	1.0630	0.079	1.220	1.843	0.315	#8-24UNF	3.307	
2 3/8	UEL212-206D1W3	2.3750											
2 7/16	UEL212-207D1W3	2.4375											
65	UEL213D1W3	65	120	85.7	68.3	32	2	34.15	51.55	8.7	M10 × 1.25	97	
2 1/2	UEL213-208D1W3	2.5000	4.7244	3.374	2.6890	1.2598	0.079	1.344	2.030	0.343	#8-24UNF	3.819	
2 7/16	UEL213-209D1W3	2.5625											
70	UEL214D1W3	70	125	85.7	68.3	33	2	34.15	51.55	8.7	M10 × 1.25	97	
2 3/8	UEL214-210D1W3	2.6250											
2 11/16	UEL214-211D1W3	2.6875	4.9213	3.374	2.6890	1.2992	0.079	1.344	2.030	0.343	#8-24UNF	3.819	
2 3/4	UEL214-212D1W3	2.7500											
75	UEL215D1W3	75	130	92	74.6	34	2	37.3	54.7	8.7	M10 × 1.25	102	
2 11/16	UEL215-213D1W3	2.8125											
2 3/4	UEL215-214D1W3	2.8750	5.1181	3.622	2.9370	1.3386	0.079	1.469	2.154	0.343	#8-24UNF	4.016	
2 13/16	UEL215-215D1W3	2.9375											
3	UEL215-300D1W3	3.0000											

Remarks: 1) These numbers indicate relubricatable type. If maintenance free type is needed, please order without suffix "D1".

Nominal dimensions		Basic load ratings		Mass
mm	inch	N	lbf	kg
B_s	F	dynamic C_r	static C_{or}	lb
20.7	6.0	43 500	29 200	1.32
				3.28
0.815	0.236	9 750	6 550	3.12
				3.02
				2.90
22.3	6.2	52 500	36 000	1.87
				4.38
0.878	0.244	11 800	8 150	4.22
				4.05
				3.88
23.8	8.7	57 500	40 000	2.48
				5.47
0.937	0.343	12 900	9 000	5.30
23.8	8.8	62 000	44 000	2.47
				5.67
0.937	0.346	14 000	9 900	5.45
				5.18
23.8	9.0	66 000	49 500	2.68
				6.39
0.937	0.354	14 900	11 100	6.15
				5.91
				5.60

Ball bearings
Eccentric locking collar type

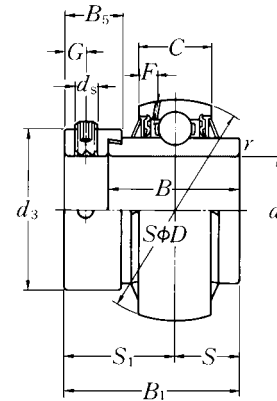


Shaft dia.	Bearing number ¹⁾	Nominal dimensions											
		<i>d</i>	<i>D</i>	<i>B</i> ₁	<i>B</i>	<i>C</i>	<i>r</i> _s min.	<i>S</i>	<i>S</i> ₁	<i>G</i>	<i>d</i> _s	<i>d</i> ₃	
mm inch						mm	inch						
25	UEL305D1W3	25	62	46.8	34.9	20	1.5	16.7	30.1	6	M8 × 1	42.8	
1 ¹ / ₁₆	UEL305-013D1W3	0.8125											
5 ⁸ / ₁₆	UEL305-014D1W3	0.8750	2.4409	1.843	1.3740	0.7874	0.059	0.657	1.185	0.236	3/16-24UNF	1.685	
1 ¹ / ₈	UEL305-015D1W3	0.9375											
1	UEL305-100D1W3	1.0000											
30	UEL306D1W3	30	72	50	36.5	23	1.5	17.5	32.5	6.7	M8 × 1	50	
1 ¹ / ₁₆	UEL306-101D1W3	1.0625											
1 ¹ / ₈	UEL306-102D1W3	1.1250	2.8346	1.969	1.4370	0.9055	0.059	0.689	1.280	0.264	3/16-24UNF	1.969	
1 ³ / ₁₆	UEL306-103D1W3	1.1875											
35	UEL307D1W3	35	80	51.6	38.1	25	2	18.3	33.3	6.7	M8 × 1	55	
1 ¹ / ₄	UEL307-104D1W3	1.2500											
1 ³ / ₁₆	UEL307-105D1W3	1.3125	3.1496	2.031	1.5000	0.9843	0.079	0.720	1.311	0.264	3/16-24UNF	2.165	
1 ⁵ / ₈	UEL307-106D1W3	1.3750											
1 ⁷ / ₁₆	UEL307-107D1W3	1.4375											
40	UEL308D1W3	40	90	57.1	41.3	27	2	19.8	37.3	8	M10 × 1.25	63.5	
1 ¹ / ₂	UEL308-108D1W3	1.5000	3.5433	2.248	1.6260	1.0630	0.079	0.780	1.469	0.315	5/8-24UNF	2.500	
1 ⁷ / ₁₆	UEL308-109D1W3	1.5625											
45	UEL309D1W3	45	100	58.7	42.9	29	2	19.8	38.9	8	M10 × 1.25	70	
1 ⁵ / ₈	UEL309-110D1W3	1.6250											
1 ¹¹ / ₁₆	UEL309-111D1W3	1.6875	3.9370	2.311	1.6890	1.1417	0.079	0.780	1.531	0.315	5/8-24UNF	2.756	
1 ³ / ₄	UEL309-112D1W3	1.7500											
50	UEL310D1W3	50	110	66.6	49.2	32	2.5	24.6	42	8.7	M10 × 1.25	76.2	
1 ¹ / ₁₆	UEL310-113D1W3	1.8125											
1 ⁵ / ₈	UEL310-114D1W3	1.8750	4.3307	2.622	1.9370	1.2598	0.098	0.969	1.654	0.343	5/8-24UNF	3.000	
1 ¹ / ₄	UEL310-115D1W3	1.9375											
55	UEL311D1W3	55	120	73	55.6	34	2.5	27.8	45.2	8.7	M10 × 1.25	83	
2	UEL311-200D1W3	2.0000											
2 ¹ / ₁₆	UEL311-201D1W3	2.0625	4.7244	2.874	2.1890	1.3386	0.098	1.094	1.780	0.343	5/8-24UNF	3.268	
2 ¹ / ₈	UEL311-202D1W3	2.1250											
2 ³ / ₁₆	UEL311-203D1W3	2.1875											

Remarks: 1) These numbers indicate relubricatable type. If maintenance free type is needed, please order without suffix "D1".

Nominal dimensions		Basic load ratings		Mass
mm	inch	N	lbf	kg
B_s	F	dynamic C_r	static C_{or}	lb
15.9	5.0	21 200	10 900	0.43 1.09
0.626	0.197	4 750	2 460	1.05 1.01 0.96
17.5	5.9	26 700	15 000	0.69 1.57
0.689	0.232	6 000	3 400	1.51 1.45
17.5	6.8	33 500	19 100	0.80 1.92
0.689	0.268	7 500	4 300	1.84 1.77 1.69
20.6	7.4	40 500	24 000	1.08 2.58
0.811	0.291	9 150	5 400	2.49
20.6	7.4	53 000	32 000	1.45 3.36
0.811	0.291	11 900	7 200	3.26 3.15
22.2	8.1	62 000	38 500	1.86 4.40
0.874	0.319	13 900	8 600	4.29 4.15
22.2	8.5	71 500	45 000	2.34 5.58
0.874	0.335	16 100	10 100	5.39 5.25 5.08

Ball bearings
Eccentric locking collar type

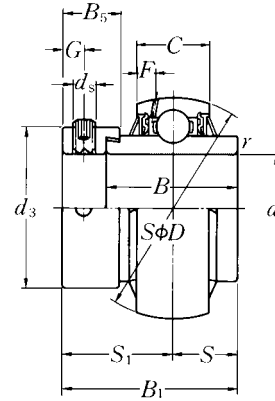


Shaft dia.	Bearing number ¹⁾	Nominal dimensions											
		<i>d</i>	<i>D</i>	<i>B</i> ₁	<i>B</i>	<i>C</i>	<i>r</i> _s min.	<i>S</i>	<i>S</i> ₁	<i>G</i>	<i>d</i> _s	<i>d</i> ₃	
mm inch		mm	mm	mm	mm	mm	mm	inch	mm	mm	mm	mm	
60	UEL312D1W3	60	130	79.4	61.9	36	2.5	30.95	48.45	8.7	M10 × 1.25	89	
2 1/4	UEL312-204D1W3	2.2500											
2 5/16	UEL312-205D1W3	2.3125	5.1181	3.126	2.4370	1.4173	0.098	1.219	1.907	0.343	#8-24UNF	3.504	
2 3/8	UEL312-206D1W3	2.3750											
2 7/16	UEL312-207D1W3	2.4375											
65	UEL313D1W3	65	140	85.7	65.1	39	2.5	32.55	53.15	10.3	M12 × 1.5	97	
2 1/2	UEL313-208D1W3	2.5000	5.5118	3.374	2.5630	1.5354	0.098	1.281	2.093	0.406	1/2-20UNF	3.819	
2 7/16	UEL313-209D1W3	2.5625											
70	UEL314D1W3	70	150	92.1	68.3	41	2.5	34.15	57.95	10.3	M12 × 1.5	102	
2 3/8	UEL314-210D1W3	2.6250											
2 11/16	UEL314-211D1W3	2.6875	5.9055	3.626	2.6890	1.6142	0.098	1.344	2.281	0.406	1/2-20UNF	4.016	
2 3/4	UEL314-212D1W3	2.7500											
75	UEL315D1W3	75	160	100	74.6	43	2.5	37.3	62.7	12.7	M16 × 1.5	113	
2 11/16	UEL315-213D1W3	2.8125											
2 3/8	UEL315-214D1W3	2.8750	6.2992	3.937	2.9370	1.6929	0.098	1.469	2.469	0.500	3/8-18UNF	4.449	
2 11/16	UEL315-215D1W3	2.9375											
3	UEL315-300D1W3	3.0000											
80	UEL316D1W3	80	170	106.4	81	45	2.5	40.5	65.9	12.7	M16 × 1.5	119	
3 1/16	UEL316-301D1W3	3.0625											
3 1/8	UEL316-302D1W3	3.1250	6.6929	4.189	3.1890	1.7717	0.098	1.594	2.594	0.500	3/8-18UNF	4.685	
3 7/16	UEL316-303D1W3	3.1875											
85	UEL317D1W3	85	180	109.5	84.1	47	3	42.05	67.45	12.7	M16 × 1.5	127	
3 1/4	UEL317-304D1W3	3.2500											
3 3/16	UEL317-305D1W3	3.3125	7.0866	4.311	3.3110	1.8504	0.118	1.656	2.656	0.500	3/8-18UNF	5.000	
3 7/16	UEL317-307D1W3	3.4375											
90	UEL318D1W3	90	190	115.9	87.3	49	3	43.65	72.25	14.3	M20 × 1.5	133	
3 3/16	UEL318-307D1W3	3.4375	7.4803	4.563	3.4370	1.9291	0.118	1.719	2.844	0.563	#4-16UNF	5.236	
3 1/2	UEL318-308D1W3	3.5000											
95	UEL319D1W3	95	200	122.3	93.7	51	3	38.9	83.4	14.3	M20 × 1.5	140	
3 3/8	UEL319-310D1W3	3.6250											
3 11/16	UEL319-311D1W3	3.6875	7.8740	4.815	3.6890	2.0079	0.118	1.531	3.283	0.563	#4-16UNF	5.512	
3 3/4	UEL319-312D1W3	3.7500											

Remarks: 1) These numbers indicate relubricatable type. If maintenance free type is needed, please order without suffix "D1".

Nominal dimensions		Basic load ratings		Mass
mm	inch	N	lbf	kg lb
B_s	F	dynamic C_r	static C_{or}	
23.9	9.0	82 000	52 000	2.94 6.80
0.941	0.354	18 400	11 700	6.65 6.48 6.19
27	10.1	92 500	60 000	3.67 8.49
1.063	0.398	20 800	13 400	8.27
30.2	10.5	104 000	68 000	4.40 10.4
1.189	0.413	23 400	15 300	10.2 9.96
31.8	11.0	113 000	77 000	5.34 13.2
1.252	0.433	25 500	17 400	12.9 12.7 12.5
31.8	11.4	123 000	86 500	6.70 14.9
1.252	0.449	27 600	19 500	14.8 14.6
31.8	12.0	133 000	97 000	8.00 18.0
1.252	0.472	29 800	21 800	17.7 17.0
36.5	12.3	143 000	107 000	9.10 20.7
1.437	0.484	32 000	24 100	20.2
36.5	12.8	153 000	119 000	10.4 23.4
1.437	0.504	34 500	26 600	23.0 22.6

Ball bearings
Eccentric locking collar type

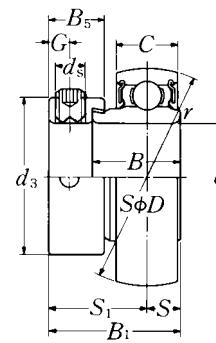


Shaft dia.	Bearing number ¹⁾	Nominal dimensions											
		<i>d</i>	<i>D</i>	<i>B</i> ₁	<i>B</i>	<i>C</i>	<i>r</i> _s mm	<i>S</i> inch	<i>S</i> ₁	<i>G</i>	<i>d</i> _s	<i>d</i> ₃	
100	UEL320D1W3	100	215	128.6	100	55	3	50	78.6	14.3	M20 × 1.5	146	
3 1/16	UEL320-313D1W3	3.8125											
3 8/8	UEL320-314D1W3	3.8750	8.4646	5.063	3.9370	2.1654	0.118	1.969	3.094	0.563	#4-16UNF	5.748	
3 1/16	UEL320-315D1W3	3.9375											
4	UEL320-400D1W3	4.0000											
105	UEL321D1W3	105	225	139.7	104.8	57	3	48.4	91.3	17.5	M20 × 1.5	157	
110	UEL322D1W3	110	240	141.3	106.4	59	3	49.2	92.1	17.5	M20 × 1.5	168	

Remarks: 1) These numbers indicate relubricatable type. If maintenance free type is needed, please order without suffix "D1".

Nominal dimensions		Basic load ratings		Mass
mm	inch	N dynamic C_r	lbf static C_{or}	kg lb
B_s	F			
36.5	13.5	173 000	141 000	12.5 28.5
1.437	0.531	39 000	31 500	28.0 27.6 27.0
42.8	13.9	184 000	153 000	14.6
42.8	13.9	205 000	179 000	17.2

Ball bearings
Eccentric locking collar type

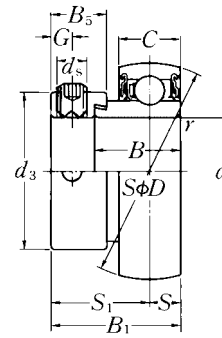


Shaft dia. mm inch	Bearing number ¹⁾	Nominal dimensions											
		d	D	B ₁	B	C	r _s mm min.	S	S ₁	G	d _s	d _b	
12 1/2	AEL201W3 AEL201-008W3	12 0.5000	40 1.5748	28.6 1.126	19 0.7480	12 0.4724	0.6 0.024	6.5 0.256	22.1 0.870	4.8 0.189	M6 × 0.75 #4-28UNF	29 1.142	
15 5/8 3/8	AEL202W3 AEL202-009W3 AEL202-010W3	15 0.5625 0.6250	40 1.5748	28.6 1.126	19 0.7480	12 0.4724	0.6 0.024	6.5 0.256	22.1 0.870	4.8 0.189	M6 × 0.75 #4-28UNF	29 1.142	
17 1 1/8	AEL203W3 AEL203-011W3	17 0.6875	40 1.5748	28.6 1.126	19 0.7480	12 0.4724	0.6 0.024	6.5 0.256	22.1 0.870	4.8 0.189	M6 × 0.75 #4-28UNF	29 1.142	
20 3/4	AEL204W3 AEL204-012W3	20 0.7500	47 1.8504	31 1.220	21.5 0.8465	14 0.5512	1 0.039	7.5 0.295	23.5 0.925	4.8 0.189	M6 × 0.75 #4-28UNF	33 1.299	
25 1 3/8 3/8 1 3/8 1	AEL205W3 AEL205-013W3 AEL205-014W3 AEL205-015W3 AEL205-100W3	25 0.8125 0.8750 0.9375 1.0000	52 2.0472	31 1.220	21.5 0.8465	15 0.5906	1 0.039	7.5 0.295	23.5 0.925	4.8 0.189	M6 × 0.75 #4-28UNF	38 1.496	
30 1 1/8 1 1/8 1 3/8 1 1/4	AEL206W3 AEL206-101W3 AEL206-102W3 AEL206-103W3 AEL206-104W3	30 1.0625 1.1250 1.1875 1.2500	62 2.4409	35.7 1.406	23.8 0.9370	16 0.6299	1 0.039	9 0.354	26.7 1.051	6 0.236	M8 × 1 #1/8-24UNF	44.5 1.752	
35 1 1/4 1 3/8 1 3/8 1 7/8	AEL207W3 AEL207-104W3 AEL207-105W3 AEL207-106W3 AEL207-107W3	35 1.2500 1.3125 1.3750 1.4375	72 2.8346	38.9 1.531	25.4 1.0000	17 0.6693	1.5 0.059	9.5 0.374	29.4 1.157	6.8 0.268	M10 × 1.25 #8-24UNF	55.5 2.185	
40 1 1/2 1 1/8	AEL208W3 AEL208-108W3 AEL208-109W3	40 1.5000 1.5625	80 3.1496	43.7 1.720	30.2 1.1890	18 0.7087	1.5 0.059	11 0.433	32.7 1.287	6.8 0.268	M10 × 1.25 #8-24UNF	60 2.362	

Remarks: 1) If relubricatable type is needed, please order with suffix "D1".

Nominal dimensions		Basic load ratings		Mass
mm	inch	N	lbf	kg
B_s		dynamic C_r	static C_{or}	lb
13.6		9 600	4 600	0.12
0.535		2 160	1 030	0.26
13.6		9 600	4 600	0.11
0.535		2 160	1 030	0.26
				0.24
13.6		9 600	4 600	0.10
0.535		2 160	1 030	0.23
13.5		12 800	6 650	0.17
0.531		2 890	1 500	0.35
13.5		14 000	7 850	0.20
				0.51
0.531		3 150	1 770	0.48
				0.45
				0.42
15.9		19 500	11 300	0.31
				0.74
0.626		4 400	2 540	0.73
				0.66
				0.61
17.5		25 700	15 300	0.49
				1.15
0.689		5 750	3 450	1.10
				1.04
				0.98
18.3		29 100	17 800	0.66
				1.41
0.720		6 550	4 000	1.34

Ball bearings
Eccentric locking collar type

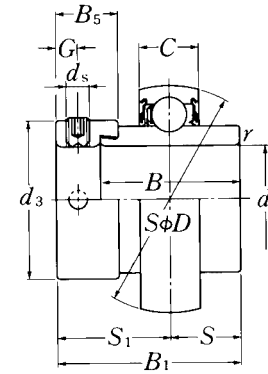


Shaft dia. mm inch	Bearing number ¹⁾	Nominal dimensions											
		<i>d</i>	<i>D</i>	<i>B</i> ₁	<i>B</i>	<i>C</i>	<i>r</i> _s mm min.	<i>S</i> inch	<i>S</i> ₁	<i>G</i>	<i>d</i> _s	<i>d</i> _s	
12 1/2	JEL201W3 JEL201-008W3	12 0.5000	40 1.5748	28.6 1.126	19 0.7480	13 0.5118	0.6 0.024	6.5 0.256	22.1 0.870	4.8 0.189	M6 × 0.75 #4-28UNF	29 1.142	
15 5/8	JEL202W3 JEL202-009W3 JEL202-010W3	15 0.5625 0.6250	40 1.5748	28.6 1.126	19 0.7480	13 0.5118	0.6 0.024	6.5 0.256	22.1 0.870	4.8 0.189	M6 × 0.75 #4-28UNF	29 1.142	
17 1 1/8	JEL203W3 JEL203-011W3	17 0.6875	40 1.5748	28.6 1.126	19 0.7480	13 0.5118	0.6 0.024	6.5 0.256	22.1 0.870	4.8 0.189	M6 × 0.75 #4-28UNF	29 1.142	
20 3/4	JEL204W3 JEL204-012W3	20 0.7500	47 1.8504	31 1.220	21.5 0.8465	15 0.5906	1 0.039	7.5 0.295	23.5 0.925	4.8 0.189	M6 × 0.75 #4-28UNF	33 1.299	
25 1 3/8 1 1/4 1	JEL205W3 JEL205-013W3 JEL205-014W3 JEL205-015W3 JEL205-100W3	25 0.8125 0.8750 0.9375 1.0000	52 2.0472	31 1.220	21.5 0.8465	15 0.5906	1 0.039	7.5 0.295	23.5 0.925	4.8 0.189	M6 × 0.75 #4-28UNF	38 1.496	
30 1 1/8 1 1/8 1 7/16 1 1/4	JEL206W3 JEL206-101W3 JEL206-102W3 JEL206-103W3 JEL206-104W3	30 1.0625 1.1250 1.1875 1.2500	62 2.4409	35.7 1.406	23.8 0.9370	18 0.7087	1 0.039	9 0.354	26.7 1.051	6 0.236	M8 × 1 #16-24UNF	44.5 1.752	
35 1 1/4 1 3/8 1 7/8 1 3/4	JEL207W3 JEL207-104W3 JEL207-105W3 JEL207-106W3 JEL207-107W3	35 1.2500 1.3125 1.3750 1.4375	72 2.8346	38.9 1.531	25.4 1.0000	19 0.7480	1.5 0.059	9.5 0.374	29.4 1.157	6.8 0.268	M10 × 1.25 #8-24UNF	55.5 2.185	
40 1 1/2 1 3/8	JEL208W3 JEL208-108W3 JEL208-109W3	40 1.5000 1.5625	80 3.1496	43.7 1.720	30.2 1.1890	22 0.8661	1.5 0.059	11 0.433	32.7 1.287	6.8 0.268	M10 × 1.25 #8-24UNF	60 2.362	

Remarks: 1) If relubricatable type is needed, please order with suffix "D1".

Nominal dimensions		Basic load ratings		Mass
mm	inch	N	lbf	kg
B_s		dynamic	static	lb
		C_r	C_{or}	
13.6		9 600	4 600	0.12
0.535		2 160	1 030	0.25
13.6		9 600	4 600	0.10
0.535		2 160	1 030	0.24
				0.22
13.6		9 600	4 600	0.09
0.535		2 160	1 030	0.20
13.5		12 800	6 650	0.16
0.531		2 890	1 500	0.37
13.5		14 000	7 850	0.19
				0.50
0.531		3 150	1 770	0.47
				0.44
				0.41
15.9		19 500	11 300	0.32
				0.78
0.626		4 400	2 540	0.73
				0.69
				0.64
17.5		25 700	15 300	0.50
				1.22
0.689		5 750	3 450	1.16
				1.11
				1.05
18.3		29 100	17 800	0.65
				1.53
0.720		6 550	4 000	1.46

Ball bearings
Eccentric locking collar type

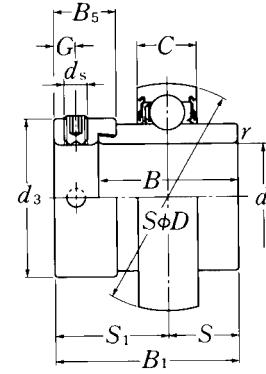


Shaft dia.	Bearing number ¹⁾	Nominal dimensions											
		<i>d</i>	<i>D</i>	<i>B</i> ₁	<i>B</i>	<i>C</i>	<i>r</i> _s min.	<i>S</i>	<i>S</i> ₁	<i>G</i>	<i>d</i> _s	<i>d</i> ₃	
mm inch						mm	inch						
20	REL204W3	20	47	43.7	34.2	15	1	17.1	26.6	4.8	M6 × 0.75	33.0	
#4	REL204-012W3	0.7500	1.8504	1.720	1.3465	0.5906	0.039	0.673	1.047	0.189	!#-28UNF	1.299	
25	REL205W3	25	52	44.4	34.9	15	1	17.45	26.9	4.8	M6 × 0.75	38.0	
1#7/8	REL205-013W3	0.8125											
8/8	REL205-014W3	0.8750	2.0472	1.748	1.3740	0.5906	0.039	0.687	1.059	0.189	!#-28UNF	1.496	
1#7/8	REL205-015W3	0.9375											
1	REL205-100W3	1.0000											
30	REL206W3	30	62	48.4	36.5	18	1	18.25	30.1	6	M8 × 1	44.5	
1!7/8	REL206-101W3	1.0625											
1!8	REL206-102W3	1.1250	2.4409	1.906	1.4370	0.7087	0.039	0.720	1.185	0.236	%-24UNF	1.752	
1#7/8	REL206-103W3	1.1875											
1!4	REL206-104W3	1.2500											
35	REL207W3	35	72	51.1	37.6	19	1.5	18.8	32.3	6.8	M10 × 1.25	55.5	
1!4	REL207-104W3	1.2500											
1#7/8	REL207-105W3	1.3125	2.8346	2.012	1.4803	0.7480	0.059	0.740	1.272	0.268	#-24UNF	2.185	
1#8	REL207-106W3	1.3750											
1&7/8	REL207-107W3	1.4375											
40	REL208W3	40	80	56.3	42.8	22	1.5	21.4	34.9	6.8	M10 × 1.25	60.0	
1!2	REL208-108W3	1.5000	3.1496	2.217	1.6850	0.8661	0.059	0.843	1.374	0.268	#-24UNF	2.362	
1(7/8	REL208-109W3	1.5625											
45	REL209W3	45	85	56.3	42.8	22	1.5	21.4	34.9	6.8	M10 × 1.25	63.5	
1#8	REL209-110W3	1.6250											
1!17/8	REL209-111W3	1.6875	3.3465	2.217	1.6850	0.8661	0.059	0.843	1.374	0.268	#-24UNF	2.500	
1#4	REL209-112W3	1.7500											
50	REL210W3	50	90	62.7	49.2	22	1.5	24.6	38.1	6.8	M10 × 1.25	69.5	
1!#7/8	REL210-113W3	1.8125											
1&8	REL210-114W3	1.8750	3.5433	2.469	1.9370	0.8661	0.059	0.969	1.500	0.268	#-24UNF	2.736	
1!#7/8	REL210-115W3	1.9375											
2	REL210-200W3	2.0000											

Remarks: 1) If relubricatable type is needed, please order with suffix "D1".

Nominal dimensions		Basic load ratings		Mass	
mm	inch	N	lbf	kg	lb
B_s		dynamic C_r	static C_{or}		
13.5		12 800	6 650	0.22	
0.531		2 890	1 500	0.43	
13.5		14 000	7 850	0.26	
0.531		3 150	1 770	0.59	
				0.56	
				0.53	
				0.49	
15.9		19 500	11 300	0.44	
0.626		4 400	2 540	0.92	
				0.87	
				0.82	
				0.78	
17.5		25 700	15 300	0.58	
0.689		5 750	3 450	1.41	
				1.36	
				1.31	
				1.24	
18.3		29 100	17 800	0.78	
0.720		6 550	4 000	1.88	
				1.80	
18.3		32 500	20 400	0.83	
0.720		7 350	4 600	2.01	
				1.93	
				1.84	
18.3		35 000	23 200	0.96	
0.720		7 900	5 200	2.42	
				2.32	
				2.21	
				2.05	

Ball bearings
Eccentric locking collar type

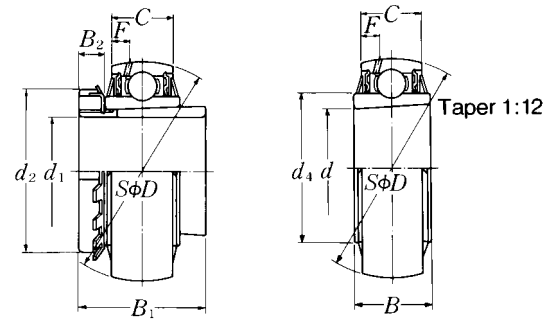


Shaft dia.	Bearing number ¹⁾	Nominal dimensions											
		<i>d</i>	<i>D</i>	<i>B_i</i>	<i>B</i>	<i>C</i>	<i>r_s</i> mm min.	inch <i>S</i>	<i>S₁</i>	<i>G</i>	<i>d_s</i>	<i>d₃</i>	
55	REL211W3	55	100	71.4	55.5	24	2	27.8	43.6	8	M10 × 1.25	76	
2	REL211-200W3	2.0000											
2 1/16	REL211-201W3	2.0625	3.9370	2.811	2.1850	0.9449	0.079	1.094	1.717	0.315	#8-24UNF	2.992	
2 1/8	REL211-202W3	2.1250											
2 3/16	REL211-203W3	2.1875											
60	REL212W3	60	110	77.8	61.9	27	2	31	46.8	8	M10 × 1.25	84	
2 1/4	REL212-204W3	2.2500											
2 5/16	REL212-205W3	2.3125	4.3307	3.063	2.4370	1.0630	0.079	1.220	1.843	0.315	#8-24UNF	3.307	
2 3/8	REL212-206W3	2.3750											
2 7/16	REL212-207W3	2.4375											

Remarks: 1) If relubricatable type is needed, please order with suffix "D1".

Nominal dimensions		Basic load ratings		Mass	
mm	inch	N	lbf	kg	lb
B_s		dynamic C_r	static C_{or}		
20.7		43 500	29 200	1.29	3.21
0.815		9 750	6 550	3.05	2.95
				2.83	
22.3		52 500	36 000	1.83	4.29
0.878		11 800	8 150	4.13	3.96
				3.79	

Ball bearings Adapter type



UK2...D1;H,HA, HE,HS

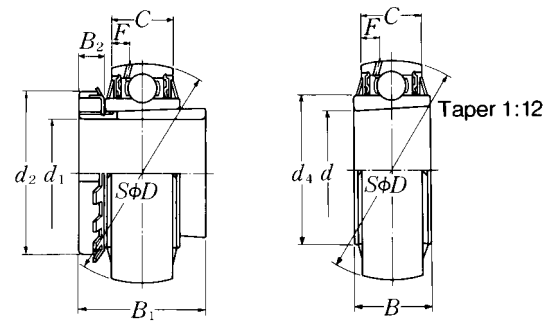
UK2...D1

Shaft dia. mm inch	Bearing number ^{1) 2) 3)}	Nominal dimensions									
		mm					inch				
		<i>d</i>	<i>D</i>	<i>B</i>	<i>C</i>	<i>d</i> ₄	<i>d</i> ₁	<i>B</i> ₁	<i>B</i> ₂	<i>d</i> ₂	<i>F</i>
20 #4	UK205D1;H2305X UK205D1;HE2305	25 0.9843	52 2.0472	23 0.9055	17 0.6693	33.9 1.335	20 #4	35 1.378	8 0.315	38 1.496	4.5 0.177
25 #8 1	UK206D1;H2306X UK206D1;HS2306 UK206D1;HE2306X	30 1.1811	62 2.4409	26 1.0236	19 0.7480	40.8 1.606	25 #8 1	38 1.496	8 0.315	45 1.772	4.6 0.181
30 1#8	UK207D1;H2307X UK207D1;HS2307	35 1.3780	72 2.8346	29 1.1417	20 0.7874	46.8 1.843	30 1#8	43 1.693	9 0.354	52 2.047	4.6 0.181
35 1#4 1#8	UK208D1;H2308X UK208D1;HE2308X UK208D1;HS2308X	40 1.5748	80 3.1496	31 1.2205	21 0.8268	53 2.087	35 1#4 1#8	46 1.811	10 0.394	58 2.283	4.5 0.177
40 1#7/8 1#2 1#8	UK209D1;H2309X UK209D1;HA2309 UK209D1;HE2309X UK209D1;HS2309X	45 1.7717	85 3.3465	31 1.2205	22 0.8661	57.5 2.264	40 1#7/8 1#2 1#8	50 1.969	11 0.433	65 2.559	4.9 0.193
45 1#3/8 1#1/8 1#4	UK210D1;H2310X UK210D1;HS2310 UK210D1;HA2310 UK210D1;HE2310X	50 1.9685	90 3.5433	32 1.2598	24 0.9449	62.4 2.457	45 1#3/8 1#1/8 1#4	55 2.165	12 0.472	70 2.756	5.9 0.232
50 1#8 1#1/8 2	UK211D1;H2311X UK211D1;HS2311 UK211D1;HA2311 UK211D1;HE2311XY	55 2.1654	100 3.9370	35 1.3780	25 0.9843	69 2.717	50 1#8 1#1/8 2	59 2.323	12 0.472	75 2.953	6.0 0.236
55 2#8	UK212D1;H2312X UK212D1;HS2312	60 2.3622	110 4.3307	38 1.4961	27 1.0630	77 3.031	55 2#8	62 2.441	13 0.512	80 3.150	6.2 0.244
60 2#7/8 2#4 2#8	UK213D1;H2313X UK213D1;HA2313 UK213D1;HE2313X UK213D1;HS2313X	65 2.5591	120 4.7244	40 1.5748	32 1.2598	82.5 3.248	60 2#7/8 2#4 2#8	65 2.559	14 0.551	85 3.346	8.7 0.343

Remarks: 1) These numbers indicate relubricatable type. If maintenance free type is needed, please order without suffix "D1".
 2) Adapter number with suffix "X" means a narrow slot type adapter sleeve.
 In this case the lock washer with the straight inner prong should be used.
 3) For HE2311XY, screw thread pitch different from the standard is applied, because of the thin thread section of sleeve.
 To distinguish it, a suffix "Y" is added.

Basic load ratings		Mass	
N dynamic C_r	lbf static C_{or}	kg	lb
14 000	7 850	0.25	
3 150	1 770	0.57	
19 500	11 300	0.36	
4 400	2 540	0.86	
		0.78	
25 700	15 300	0.57	
5 750	3 450	1.30	
29 100	17 800	0.74	
6 550	4 000	1.77	
		1.63	
32 500	20 400	0.83	
		2.01	
7 350	4 600	1.93	
		1.76	
35 000	23 200	0.97	
		2.38	
7 900	5 200	2.28	
		2.18	
43 500	29 200	1.26	
		2.96	
9 750	6 550	2.84	
		2.70	
52 500	36 000	1.59	
11 800	8 150	3.60	
57 500	40 000	2.00	
		4.86	
12 900	9 000	4.70	
		4.38	

Ball bearings Adapter type



UK2...D1;H,HA, HE,HS

UK2...D1

Shaft dia.	Bearing number ^{1) 2) 3)}	Nominal dimensions									
		mm					inch				
		<i>d</i>	<i>D</i>	<i>B</i>	<i>C</i>	<i>d</i> ₄	<i>d</i> ₁	<i>B</i> ₁	<i>B</i> ₂	<i>d</i> ₂	<i>F</i>
65 2 $\frac{1}{2}$ 2 $\frac{1}{2}$	UK215D1;H2315X UK215D1;HA2315 UK215D1;HE2315X	75	130	44	34	93	65	73	15	98	9.0
		2.9528	5.1181	1.7323	1.3386	3.661	2 $\frac{1}{2}$ 2 $\frac{1}{2}$	2.874	0.591	3.858	0.354
70 2 $\frac{1}{2}$ 2 $\frac{3}{4}$	UK216D1;H2316X UK216D1;HA2316 UK216D1;HE2316X	80	140	45	35	98.1	70	78	17	105	9.5
		3.1496	5.5118	1.7717	1.3780	3.862	2 $\frac{1}{2}$ 2 $\frac{3}{4}$	3.071	0.669	4.134	0.374
75 2 $\frac{1}{2}$ 3	UK217D1;H2317X UK217D1;HA2317X UK217D1;HE2317X	85	150	46	36	106.4	75	82	18	110	10.1
		3.3465	5.9055	1.8110	1.4173	4.189	2 $\frac{1}{2}$ 3	3.228	0.709	4.331	0.398
80 3 $\frac{1}{2}$	UK218D1;H2318X UK218D1;HA2318X	90	160	47	37	111.6	80	86	18	120	9.8
		3.5433	6.2992	1.8504	1.4567	4.394	3 $\frac{1}{2}$	3.386	0.709	4.724	0.386

Remarks: 1) These numbers indicate relubricatable type. If maintenance free type is needed, please order without suffix "D1".

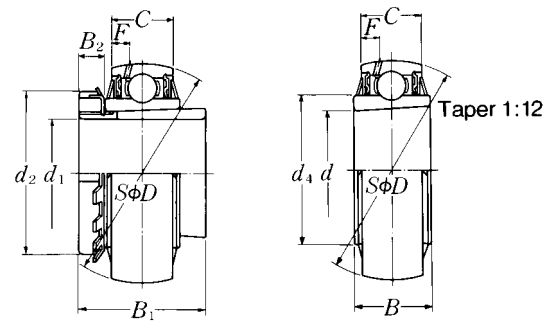
2) Adapter number with suffix "X" means a narrow slot type adapter sleeve.

In this case the lock washer with the straight inner prong should be used.

3) For HE2311XY, screw thread pitch different from the standard is applied, because of the thin thread section of sleeve.
To distinguish it, a suffix "Y" is added.

Basic load ratings		Mass	
N dynamic C_r	lbf static C_{or}	kg	lb
66 000	49 500	2.56	6.04
14 900	11 100	5.84	
72 500	53 000	3.23	7.38
16 300	11 900	7.14	
83 500	64 000	3.93	8.73
18 700	14 300	8.46	
96 000	71 500	4.74	
21 600	16 100	11.0	

Ball bearings Adapter type



UK3...D1;H, HA, HE, HS

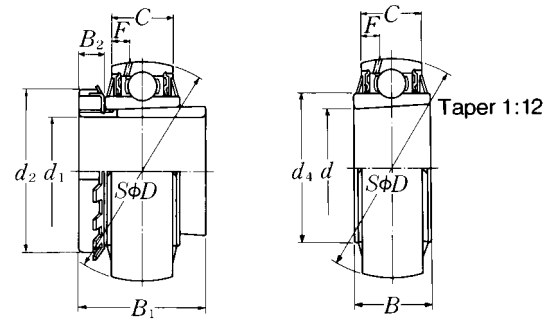
UK3...D1

Shaft dia. mm inch	Bearing number ^{1) 2) 3)}	Nominal dimensions									
		mm					inch				
		<i>d</i>	<i>D</i>	<i>B</i>	<i>C</i>	<i>d</i> ₄	<i>d</i> ₁	<i>B</i> ₁	<i>B</i> ₂	<i>d</i> ₂	<i>F</i>
20 #4	UK305D1;H2305X UK305D1;HE2305	25 0.9843	62 2.4409	26 1.0236	20 0.7874	36.8 1.449	20 #4	35 1.378	8 0.315	38 1.496	5.0 0.197
25 #8 1	UK306D1;H2306X UK306D1;HS2306 UK306D1;HE2306X	30 1.1811	72 2.8346	29 1.1417	23 0.9055	44.9 1.768	25 #8 1	38 1.496	8 0.315	45 1.772	5.9 0.232
30 1#8	UK307D1;H2307X UK307D1;HS2307	35 1.3780	80 3.1496	33 1.2992	25 0.9843	49.4 1.945	30 1#8	43 1.693	9 0.354	52 2.047	6.8 0.268
35 1#4 1#8	UK308D1;H2308X UK308D1;HE2308X UK308D1;HS2308X	40 1.5748	90 3.5433	34 1.3386	27 1.0630	56 2.205	35 1#4 1#8	46 1.811	10 0.394	58 2.283	7.4 0.291
40 1#7/8 1#2 1#8	UK309D1;H2309X UK309D1;HA2309 UK309D1;HE2309X UK309D1;HS2309X	45 1.7717	100 3.9370	37 1.4567	29 1.1417	63.5 2.500	40 1#7/8 1#2 1#8	50 1.969	11 0.433	65 2.559	7.4 0.291
45 1#8 1#17/8 1#4	UK310D1;H2310X UK310D1;HS2310 UK310D1;HA2310 UK310D1;HE2310X	50 1.9685	110 4.3307	41 1.6142	32 1.2598	70.6 2.780	45 1#8 1#17/8 1#4	55 2.165	12 0.472	70 2.756	8.1 0.319
50 1#8 1#7/8 2	UK311D1;H2311X UK311D1;HS2311 UK311D1;HA2311 UK311D1;HE2311XY	55 2.1654	120 4.7244	44 1.7323	34 1.3386	76.6 3.016	50 1#8 1#7/8 2	59 2.323	12 0.472	75 2.953	8.5 0.335
55 2#8	UK312D1;H2312X UK312D1;HS2312	60 2.3622	130 5.1181	47 1.8504	36 1.4173	82.7 3.256	55 2#8	62 2.441	13 0.512	80 3.150	9.0 0.354
60 2#7/8 2#4 2#8	UK313D1;H2313X UK313D1;HA2313 UK313D1;HE2313X UK313D1;HS2313X	65 2.5591	140 5.5118	49 1.9291	39 1.5354	88.2 3.472	60 2#7/8 2#4 2#8	65 2.559	14 0.551	85 3.346	10.1 0.398

Remarks: 1) These numbers indicate relubricatable type. If maintenance free type is needed, please order without suffix "D1".
 2) Adapter number with suffix "X" means a narrow slot type adapter sleeve.
 In this case the lock washer with the straight inner prong should be used.
 3) For HE2311XY, screw thread pitch different from the standard is applied, because of the thin thread section of sleeve.
 To distinguish it, a suffix "Y" is added.

Basic load ratings		Mass	
N dynamic C_r	lbf static C_{or}	kg	lb
21 200	10 900	0.36	
4 750	2 460	0.81	
26 700	15 000	0.59	
6 000	3 400	1.37	
		1.29	
33 500	19 100	0.75	
7 500	4 300	1.70	
40 500	24 000	1.02	
9 150	5 400	2.38	
		2.25	
53 000	32 000	1.38	
		3.22	
11 900	7 200	3.14	
		2.97	
62 000	38 500	1.68	
		3.95	
13 900	8 600	3.85	
		3.74	
71 500	45 000	2.06	
		4.73	
16 100	10 100	4.60	
		4.46	
82 000	52 000	2.53	
18 400	11 700	5.67	
92 500	60 000	3.08	
		7.24	
20 800	13 400	7.08	
		6.76	

Ball bearings Adapter type



UK3...D1;H, HA, HE, HS

UK3...D1

Shaft dia.	Bearing number ^{1) 2) 3)}	Nominal dimensions									
		mm					inch				
		<i>d</i>	<i>D</i>	<i>B</i>	<i>C</i>	<i>d</i> ₄	<i>d</i> ₁	<i>B</i> ₁	<i>B</i> ₂	<i>d</i> ₂	<i>F</i>
65 2 ¹¹ / ₁₆ 2 ¹ / ₂	UK315D1;H2315X UK315D1;HA2315 UK315D1;HE2315X	75	160	55	43	101.3	65	73	15	98	11.0
		2.9528	6.2992	2.1654	1.6929	3.988	2 ² / ₁₆ 2 ¹ / ₂	2.874	0.591	3.858	0.433
70 2 ¹¹ / ₁₆ 2 ³ / ₄	UK316D1;H2316X UK316D1;HA2316 UK316D1;HE2316X	80	170	58	45	107.9	70	78	17	105	11.4
		3.1496	6.6929	2.2835	1.7717	4.248	2 ¹¹ / ₁₆ 2 ³ / ₄	3.071	0.669	4.134	0.449
75 2 ¹ / ₁₆ 3	UK317D1;H2317X UK317D1;HA2317X UK317D1;HE2317X	85	180	60	47	114.4	75	82	18	110	12.0
		3.3465	7.0866	2.3622	1.8504	4.504	2 ¹ / ₁₆ 3	3.228	0.709	4.331	0.472
80 3 ¹ / ₁₆	UK318D1;H2318X UK318D1;HA2318X	90	190	64	49	120.9	80	86	18	120	12.3
		3.5433	7.4803	2.5197	1.9291	4.760	3 ¹ / ₁₆	3.386	0.709	4.724	0.484
85 3 ¹ / ₄	UK319D1;H2319X UK319D1;HE2319X	95	200	67	51	127.5	85	90	19	125	12.8
		3.7402	7.8740	2.6378	2.0079	5.020	3 ¹ / ₄	3.543	0.748	4.921	0.504
90 3 ³ / ₁₆ 3 ¹ / ₂	UK320D1;H2320X UK320D1;HA2320 UK320D1;HE2320X	100	215	73	55	135.6	90	97	20	130	13.5
		3.9370	8.4646	2.8740	2.1654	5.339	3 ³ / ₁₆ 3 ¹ / ₂	3.819	0.787	5.118	0.531
100	UK322D1;H2322X	110	240	80	59	151.7	100	105	21	145	13.9
110	UK324D1;H2324X	120	260	86	63	165.2	110	112	22	155	16.0
115	UK326D1;H2326	130	280	90	67	178.3	115	121	23	165	16.9
125	UK328D1;H2328	140	300	95	71	190.4	125	131	24	180	17.7

Remarks: 1) These numbers indicate relubricatable type. If maintenance free type is needed, please order without suffix "D1".

2) Adapter number with suffix "X" means a narrow slot type adapter sleeve.

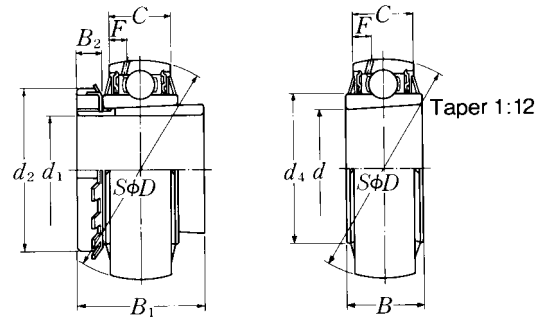
In this case the lock washer with the straight inner prong should be used.

3) For HE2311XY, screw thread pitch different from the standard is applied, because of the thin thread section of sleeve.

To distinguish it, a suffix "Y" is added.

Basic load ratings		Mass	
N dynamic C_r	lbf static C_{or}	kg	lb
113 000	77 000	4.84	11.1
25 500	17 400	10.9	
123 000	86 500	5.75	12.9
27 600	19 500	12.7	
133 000	97 000	6.72	14.9
29 800	21 800	14.6	
143 000	107 000	7.87	17.2
32 000	24 100		
153 000	119 000	9.02	20.4
34 500	26 600		
173 000	141 000	11.1	24.7
39 000	31 500	25.1	
205 000	179 000	14.9	
207 000	185 000	18.0	
229 000	214 000	23.3	
253 000	246 000	28.9	

Ball bearings
Adapter type



UKX...D1;H, HA, HE, HS

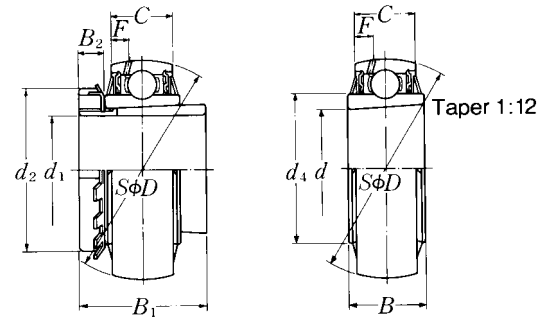
UKX...D1

Shaft dia. mm inch	Bearing number ^{1) 2) 3)}	Nominal dimensions									
		mm					inch				
		<i>d</i>	<i>D</i>	<i>B</i>	<i>C</i>	<i>d</i> ₄	<i>d</i> ₁	<i>B</i> ₁	<i>B</i> ₂	<i>d</i> ₂	<i>F</i>
20 #4	UKX05D1;H2305X UKX05D1;HE2305	25 0.9843	62 2.4409	26 1.0236	19 0.7480	40.8 1.606	20 #4	35 1.378	8 0.315	38 1.496	4.6 0.181
25 #1	UKX06D1;H2306X UKX06D1;HS2306 UKX06D1;HE2306X	30 1.1811	72 2.8346	29 1.1417	20 0.7874	46.8 1.843	25 #1	38 1.496	8 0.315	45 1.772	4.6 0.181
30 1#8	UKX07D1;H2307X UKX07D1;HS2307	35 1.3780	80 3.1496	31 1.2205	21 0.8268	53 2.087	30 1#8	43 1.693	9 0.354	52 2.047	4.5 0.177
35 1#4 1#8	UKX08D1;H2308X UKX08D1;HE2308X UKX08D1;HS2308X	40 1.5748	85 3.3465	31 1.2205	22 0.8661	57.5 2.264	35 1#4 1#8	46 1.811	10 0.394	58 2.283	4.9 0.193
40 1#7/8 1#2 1#8	UKX09D1;H2309X UKX09D1;HA2309 UKX09D1;HE2309X UKX09D1;HS2309X	45 1.7717	90 3.5433	32 1.2598	24 0.9449	62.4 2.457	40 1#7/8 1#2 1#8	50 1.969	11 0.433	65 2.559	5.9 0.232
45 1#8 1#1 7/8 1#4	UKX10D1;H2310X UKX10D1;HS2310 UKX10D1;HA2310 UKX10D1;HE2310X	50 1.9685	100 3.9370	35 1.3780	25 0.9843	69 2.717	45 1#8 1#1 7/8 1#4	55 2.165	12 0.472	70 2.756	6.0 0.236
50 1#8 1#1 3/8 2	UKX11D1;H2311X UKX11D1;HS2311 UKX11D1;HA2311 UKX11D1;HE2311XY	55 2.1654	110 4.3307	38 1.4961	27 1.0630	77 3.031	50 1#8 1#1 3/8 2	59 2.323	12 0.472	75 2.953	6.2 0.244
55 2#8	UKX12D1;H2312X UKX12D1;HS2312	60 2.3622	120 4.7244	40 1.5748	32 1.2598	82.5 3.248	55 2#8	62 2.441	13 0.512	80 3.150	8.7 0.343
60 2#7/8 2#4 2#8	UKX13D1;H2313X UKX13D1;HA2313 UKX13D1;HE2313X UKX13D1;HS2313X	65 2.5591	125 4.9213	42 1.6535	33 1.2992	87 3.425	60 2#7/8 2#4 2#8	65 2.559	14 0.551	85 3.346	8.8 0.346

Remarks: 1) These numbers indicate relubricatable type. If maintenance free type is needed, please order without suffix "D1".
 2) Adapter number with suffix "X" means a narrow slot type adapter sleeve.
 In this case the lock washer with the straight inner prong should be used.
 3) For HE2311XY, screw thread pitch different from the standard is applied, because of the thin thread section of sleeve.
 To distinguish it, a suffix "Y" is added.

Basic load ratings		Mass	
N dynamic C_r	lbf static C_{or}	kg	lb
19 500	11 300	0.38	
4 400	2 540	0.85	
25 700	15 300	0.53	
5 750	3 450	1.24	
		1.16	
29 100	17 800	0.75	
6 550	4 000	1.70	
32 500	20 400	0.85	
7 350	4 600	2.01	
		1.88	
35 000	23 200	0.97	
7 900	5 200	2.32	
		2.24	
		2.07	
43 500	29 200	1.29	
9 750	6 550	3.09	
		2.99	
		2.88	
52 500	36 000	1.66	
11 800	8 150	3.84	
		3.72	
		3.58	
57 500	40 000	2.07	
12 900	9 000	4.66	
62 000	44 000	2.19	
14 000	9 900	5.28	
		5.12	
		4.79	

Ball bearings Adapter type



UKX...D1;H, HA, HE, HS

UKX...D1

Shaft dia. mm inch	Bearing number ^{1) 2) 3)}	Nominal dimensions									
		mm					inch				
		<i>d</i>	<i>D</i>	<i>B</i>	<i>C</i>	<i>d</i> ₄	<i>d</i> ₁	<i>B</i> ₁	<i>B</i> ₂	<i>d</i> ₂	<i>F</i>
65 2 ¹¹ / ₁₆ 2 ¹ / ₂	UKX15D1;H2315X UKX15D1;HA2315 UKX15D1;HE2315X	75	140	45	35	98.1	65	73	15	98	9.5
		2.9528	5.5118	1.7717	1.3780	3.862	2 ⁵ / ₁₆ 2 ¹ / ₂	2.874	0.591	3.858	0.374
70 2 ¹¹ / ₁₆ 2 ³ / ₄	UKX16D1;H2316X UKX16D1;HA2316 UKX16D1;HE2316X	80	150	46	36	106.4	70	78	17	105	10.1
		3.1496	5.9055	1.8110	1.4173	4.189	2 ¹¹ / ₁₆ 2 ³ / ₄	3.071	0.669	4.134	0.398
75 2 ¹¹ / ₁₆ 3	UKX17D1;H2317X UKX17D1;HA2317X UKX17D1;HE2317X	85	160	47	37	111.6	75	82	18	110	9.8
		3.3465	6.2992	1.8504	1.4567	4.394	2 ¹¹ / ₁₆ 3	3.228	0.709	4.331	0.386
80 3 ¹ / ₁₆	UKX18D1;H2318X UKX18D1;HA2318X	90	170	49	39	118.2	80	86	18	120	10.5
		3.5433	6.6929	1.9291	1.5354	4.654	3 ¹ / ₁₆	3.386	0.709	4.724	0.413
90	UKX20D1;H2320X	100	190	57	44	131.3	90	97	20	130	11.3

Remarks: 1) These numbers indicate relubricatable type. If maintenance free type is needed, please order without suffix "D1".

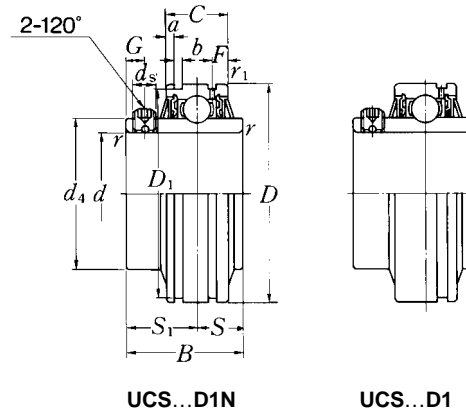
2) Adapter number with suffix "X" means a narrow slot type adapter sleeve.

In this case the lock washer with the straight inner prong should be used.

3) For HE2311XY, screw thread different from the standard is applied, because of the thin thread section of sleeve.
To distinguish it, a suffix "Y" is added.

Basic load ratings		Mass	
N dynamic C_r	lbf static C_{or}	kg	lb
72 500	53 000	3.21	7.47
16 300	11 900	7.27	
83 500	64 000	3.87	8.79
18 700	14 300	8.56	
96 000	71 500	4.76	10.6
21 600	16 100	10.3	
109 000	82 000	5.17	11.2
24 500	18 400		
133 000	105 000	8.03	

Ball bearings
Set screw type



UCS...D1N

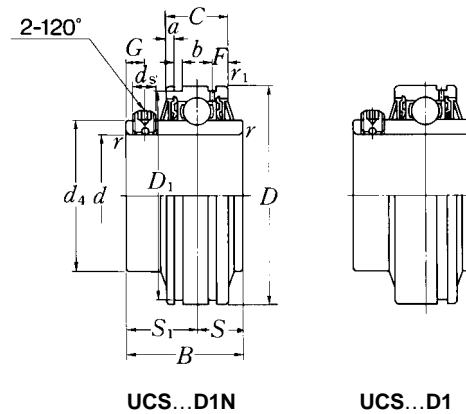
UCS...D1

Shaft dia. mm inch	Bearing number ¹⁾	Nominal dimensions									
		<i>d</i>	<i>D</i>	<i>B</i>	<i>C</i>	mm <i>r_s</i> min.	inch <i>r_s</i> min.	<i>S</i>	<i>S₁</i>	<i>G</i>	<i>ds</i>
12 1/2	UCS201LD1N	12	47	31	17	0.6	0.6	12.7	18.3	4.5	M5 × 0.8
	UCS201-008LD1N	0.5000	1.8504	1.2205	0.6693	0.024	0.024	0.500	0.720	0.177	No.10-32UNF
15 5/8	UCS202LD1N	15	47	31	17	0.6	0.6	12.7	18.3	4.5	M5 × 0.8
	UCS202-009LD1N	0.5625	1.8504	1.2205	0.6693	0.024	0.024	0.500	0.720	0.177	No.10-32UNF
	UCS202-010LD1N	0.6250									
17 1 1/8	UCS203LD1N	17	47	31	17	0.6	0.6	12.7	18.3	4.5	M5 × 0.8
	UCS203-011LD1N	0.6875	1.8504	1.2205	0.6693	0.024	0.024	0.500	0.720	0.177	No.10-32UNF
20 3/4	UCS204LD1N	20	47	31	17	1	0.6	12.7	18.3	4.5	M5 × 0.8
	UCS204-012LD1N	0.7500	1.8504	1.2205	0.6693	0.039	0.024	0.500	0.720	0.177	No.10-32UNF
25 1 1/8 1 1/4 1	UCS205LD1N	25	52	34	17	1	0.6	14.3	19.8	5	M5 × 0.8
	UCS205-013LD1N	0.8125									
	UCS205-014LD1N	0.8750	2.0472	1.3386	0.6693	0.039	0.024	0.563	0.780	0.197	No.10-32UNF
	UCS205-015LD1N	0.9375									
30 1 1/8 1 1/4 1 1/2	UCS206LD1N	30	62	38.1	19	1	1	15.9	22.2	5	M6 × 0.75
	UCS206-101LD1N	1.0625									
	UCS206-102LD1N	1.1250	2.4409	1.5000	0.7480	0.039	0.039	0.626	0.874	0.197	1/4-28UNF
	UCS206-103LD1N	1.1875									
35 1 1/4 1 1/2 1 3/8 1 7/8	UCS207LD1N	35	72	42.9	20	1.5	1.5	17.5	25.4	6	M6 × 0.75
	UCS207-104LD1N	1.2500									
	UCS207-105LD1N	1.3125	2.8346	1.6890	0.7874	0.059	0.059	0.689	1.000	0.236	1/4-28UNF
	UCS207-106LD1N	1.3750									
40 1 1/2 1 3/4	UCS208LD1N	40	80	49.2	21	1.5	1.5	19	30.2	8	M8 × 1
	UCS208-108LD1N	1.5000	3.1496	1.9370	0.8268	0.059	0.059	0.748	1.189	0.315	3/8-24UNF
	UCS208-109LD1N	1.5625									
45 1 3/8 1 1/2 1 3/4	UCS209LD1N	45	85	49.2	22	1.5	1.5	19	30.2	8	M8 × 1
	UCS209-110LD1N	1.6250									
	UCS209-111LD1N	1.6875	3.3465	1.9370	0.8661	0.059	0.059	0.748	1.189	0.315	3/8-24UNF
	UCS209-112LD1N	1.7500									

Remarks: 1) These numbers indicate relubricatable type. If maintenance free type is needed, please order without suffix "D1".

Nominal dimensions					Basic load ratings		Mass
d_i	mm D_i	inch a	b	F	N dynamic C_r	lbf static C_{or}	kg lb
29.6	44.6	3.1	1.5	4	12 800	6 650	0.21
1.1654	1.756	0.122	0.059	0.157	2 890	1 500	0.46
29.6	44.6	3.1	1.5	4	12 800	6 650	0.20
1.1654	1.756	0.122	0.059	0.157	2 890	1 500	0.44 0.42
29.6	44.6	3.1	1.5	4	12 800	6 650	0.18
1.1654	1.756	0.122	0.059	0.157	2 890	1 500	0.39
29.6	44.6	3.1	1.5	4	12 800	6 650	0.17
1.1654	1.756	0.122	0.059	0.157	2 890	1 500	0.39
33.9	49.73	3.2	1.5	4.1	14 000	7 850	0.20
1.3346	1.958	0.126	0.059	0.161	3 150	1 770	0.53 0.51 0.46 0.44
40.8	59.61	3.2	2.05	4.2	19 500	11 300	0.33
1.6063	2.374	0.126	0.081	0.165	4 400	2 540	0.82 0.77 0.73 0.66
46.8	68.81	3.3	2.05	5	25 700	15 300	0.49
1.8425	2.079	0.130	0.081	0.197	5 750	3 450	1.21 1.15 1.08 1.01
53	76.81	3.4	2.05	5	29 100	17 800	0.65
2.0866	3.024	0.134	0.081	0.197	6 550	4 000	1.52 1.46
57.5	81.81	3.5	2.05	5.1	32 500	20 400	0.70
2.2638	3.221	0.138	0.081	0.201	7 350	4 600	1.76 1.68 1.57

Ball bearings
Set screw type



UCS...D1N

UCS...D1

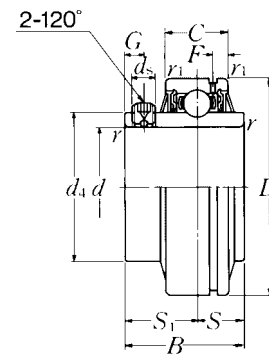
Shaft dia.	Bearing number ¹⁾	Nominal dimensions									
		<i>d</i>	<i>D</i>	<i>B</i>	<i>C</i>	mm <i>r_s</i> min.	inch <i>r_s</i> min.	<i>S</i>	<i>S₁</i>	<i>G</i>	<i>ds</i>
50	UCS210LD1N	50	90	51.6	24	1.5	1.5	19	32.6	9	M8 × 1
1 ¹ / ₁₆	UCS210-113LD1N	1.8125									
1 ¹ / ₈	UCS210-114LD1N	1.8750	3.5433	2.0315	0.9449	0.059	0.059	0.748	1.283	0.354	¹ / ₁₆ -24UNF
1 ¹ / ₄	UCS210-115LD1N	1.9375									
2	UCS210-200LD1N	2.0000									
55	UCS211LD1N	55	100	55.6	25	2	2	22.2	33.4	9	M8 × 1
2	UCS211-200LD1N	2.0000									
2 ¹ / ₁₆	UCS211-201LD1N	2.0625	3.9370	2.1890	0.9843	0.079	0.079	0.874	1.315	0.354	¹ / ₁₆ -24UNF
2 ¹ / ₈	UCS211-202LD1N	2.1250									
2 ³ / ₁₆	UCS211-203LD1N	2.1875									
60	UCS212LD1N	60	110	65.1	27	2	2	25.4	39.7	10	M10 × 1.25
2 ¹ / ₄	UCS212-204LD1N	2.2500									
2 ³ / ₁₆	UCS212-205LD1N	2.3125	4.3307	2.5630	1.0630	0.079	0.079	1.000	1.563	0.394	#8-24UNF
2 ⁷ / ₁₆	UCS212-206LD1N	2.3750									
2 ¹ / ₂	UCS212-207LD1N	2.4375									
65	UCS213D1	65	120	65.1	32	2	2	25.4	39.7	10	M10 × 1.25
2 ¹ / ₂	UCS213-208D1	2.5000	4.7244	2.5630	1.2598	0.079	0.079	1.000	1.563	0.394	#8-24UNF
2 ³ / ₁₆	UCS213-209D1	2.5625									
70	UCS214D1	70	125	74.6	33	2	2	30.2	44.4	12	M10 × 1.25
75	UCS215D1	75	130	77.8	34	2	2	33.3	44.5	12	M10 × 1.25
80	UCS216D1	80	140	82.6	35	2.5	2.5	33.3	49.3	12	M10 × 1.25
85	UCS217D1	85	150	85.7	36	2.5	2.5	34.1	51.6	12	M12 × 1.5
90	UCS218D1	90	160	96	37	2.5	2.5	39.7	56.3	12	M12 × 1.5

Remarks: 1) These numbers indicate relubricatable type. If maintenance free type is needed, please order without suffix "D1".

Nominal dimensions					Basic load ratings		Mass
d_i	D_i	a	b	F	C_r	C_{or}	
	mm	inch			N	lbf	kg lb
62.4	86.79	3.7	2.85	5.6	35 000	23 200	0.80 2.03
2.4567	3.417	0.146	0.112	0.220	7 900	5 200	1.92 1.81 1.69
69	96.80	4.4	2.85	5.9	43 500	29 200	1.08 2.71
2.7165	3.811	0.173	0.112	0.232	9 750	6 550	2.60 2.46 2.34
77	106.81	4.4	2.85	6	52 500	36 000	1.59 3.78
3.0315	4.205	0.173	0.112	0.236	11 800	8 150	3.62 3.45 3.29
82.5	-	-	-	6.8	57 500	40 000	1.92
3.2480	-	-	-	0.268	12 900	9 000	4.41 4.24
87	-	-	-	7	62 000	44 000	2.17
93	-	-	-	7	66 000	49 500	2.43
98.1	-	-	-	7.5	72 500	53 000	2.89
106.4	-	-	-	7.5	83 500	64 000	3.47
111.6	-	-	-	7	96 000	71 500	4.46

Ball bearings

Set screw type

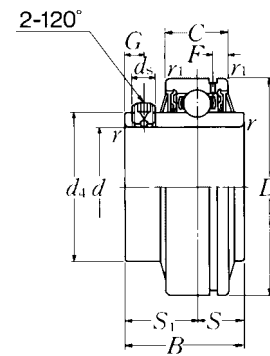


Shaft dia.	Bearing number ¹⁾	Nominal dimensions									
		<i>d</i>	<i>D</i>	<i>B</i>	<i>C</i>	mm <i>r_s</i> min.	inch <i>r_s</i> min.	<i>S</i>	<i>S₁</i>	<i>G</i>	<i>ds</i>
25	UCS305D1	25	62	38	20	1.5	0.6	15	23	6	M6 × 0.75
1 ¹ / ₁₆	UCS305-013D1	0.8125									
5 ¹ / ₈	UCS305-014D1	0.8750	2.4409	1.4961	0.7874	0.059	0.024	0.591	0.906	0.236	1 ¹ / ₄ -28UNF
1 ¹ / ₈	UCS305-015D1	0.9375									
1	UCS305-100D1	1.0000									
30	UCS306D1	30	72	43	23	1.5	1	17	26	6	M6 × 0.75
1 ¹ / ₁₆	UCS306-101D1	1.0625									
1 ¹ / ₈	UCS306-102D1	1.1250	2.8346	1.6929	0.9055	0.059	0.039	0.669	1.024	0.236	1 ¹ / ₄ -28UNF
1 ¹ / ₁₆	UCS306-103D1	1.1875									
35	UCS307D1	35	80	48	25	2	1	19	29	8	M8 × 1
1 ¹ / ₄	UCS307-104D1	1.2500									
1 ¹ / ₁₆	UCS307-105D1	1.3125	3.1496	1.8898	0.9843	0.079	0.039	0.748	1.142	0.315	3 ¹ / ₁₆ -24UNF
1 ¹ / ₈	UCS307-106D1	1.3750									
1 ¹ / ₁₆	UCS307-107D1	1.4375									
40	UCS308D1	40	90	52	27	2	1	19	33	10	M10 × 1.25
1 ¹ / ₂	UCS308-108D1	1.5000	3.5433	2.0472	1.0630	0.079	0.039	0.748	1.299	0.394	3 ¹ / ₈ -24UNF
1 ¹ / ₁₆	UCS308-109D1	1.5625									
45	UCS309D1	45	100	57	29	2	1	22	35	10	M10 × 1.25
1 ¹ / ₈	UCS309-110D1	1.6250									
1 ¹ / ₁₆	UCS309-111D1	1.6875	3.9370	2.2441	1.1417	0.079	0.039	0.866	1.378	0.394	3 ¹ / ₈ -24UNF
1 ¹ / ₄	UCS309-112D1	1.7500									
50	UCS310D1	50	110	61	32	2.5	1.5	22	39	12	M12 × 1.5
1 ¹ / ₁₆	UCS310-113D1	1.8125									
1 ¹ / ₈	UCS310-114D1	1.8750	4.3307	2.4016	1.2598	0.098	0.059	0.866	1.535	0.472	1 ¹ / ₂ -20UNF
1 ¹ / ₁₆	UCS310-115D1	1.9375									
55	UCS311D1	55	120	66	34	2.5	1.5	25	41	12	M12 × 1.5
2	UCS311-200D1	2.0000									
2 ¹ / ₁₆	UCS311-201D1	2.0625	4.7244	2.5984	1.3386	0.098	0.059	0.984	1.614	0.472	1 ¹ / ₂ -20UNF
2 ¹ / ₈	UCS311-202D1	2.1250									
2 ¹ / ₁₆	UCS311-203D1	2.1875									

Remarks: 1) These numbers indicate relubricatable type. If maintenance free type is needed, please order without suffix "D1".

Nominal dimensions		Basic load ratings		Mass
mm d_1	inch F	N dynamic C_r	lbf static C_{or}	kg lb
36.8	4.3	21 200	10 900	0.37 0.94
1.4488	0.169	4 750	2 460	0.90 0.83 0.81
44.9	5.1	26 700	15 000	0.58 1.39
1.7677	0.201	6 000	3 400	1.33 1.28
49.4	5.3	33 500	19 100	0.74 1.77
1.9449	0.209	7 500	4 300	1.70 1.64 1.57
56	5.6	40 500	24 000	1.00 2.32
2.2047	0.220	9 150	5 400	2.23
63.5	5.8	53 000	32 000	1.33 3.17
2.5000	0.228	11 900	7 200	3.09 2.98
70.6	6.3	62 000	38 500	1.72 4.10
2.7795	0.248	13 900	8 600	3.99 3.85
76.6	6.5	71 500	45 000	2.15 5.14
3.0157	0.256	16 100	10 100	4.99 4.85 4.68

Ball bearings
Set screw type



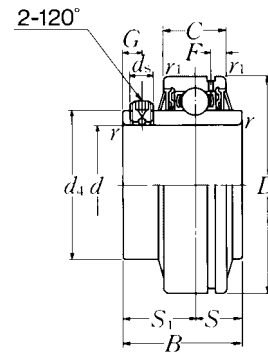
Shaft dia. mm inch	Bearing number ¹⁾	Nominal dimensions									
		<i>d</i>	<i>D</i>	<i>B</i>	<i>C</i>	mm <i>r</i> _s min.	inch <i>r</i> _s min.	<i>S</i>	<i>S</i> ₁	<i>G</i>	<i>d</i> _s
60	UCS312D1	60	130	71	36	2.5	1.5	26	45	12	M12 × 1.5
2 1/4	UCS312-204D1	2.2500									
2 3/8	UCS312-205D1	2.3125	5.1181	2.7953	1.4173	0.098	0.059	1.024	1.772	0.472	1/2-20UNF
2 3/8	UCS312-206D1	2.3750									
2 3/8	UCS312-207D1	2.4375									
65	UCS313D1	65	140	75	39	2.5	2	30	45	12	M12 × 1.5
2 1/2	UCS313-208D1	2.5000	5.5118	2.9528	1.5354	0.098	0.079	1.181	1.772	0.472	1/2-20UNF
2 7/8	UCS313-209D1	2.5625									
70	UCS314D1	70	150	78	41	2.5	2	33	45	12	M12 × 1.5
2 3/8	UCS314-210D1	2.6250									
2 1 1/8	UCS314-211D1	2.6875	5.9055	3.0709	1.6142	0.098	0.079	1.299	1.772	0.472	1/2-20UNF
2 3/4	UCS314-212D1	2.7500									
75	UCS315D1	75	160	82	43	2.5	2	32	50	14	M14 × 1.5
2 1 1/8	UCS315-213D1	2.8125									
2 3/8	UCS315-214D1	2.8750	6.2992	3.2283	1.6929	0.098	0.079	1.260	1.969	0.551	1/8-18UNF
2 1 1/8	UCS315-215D1	2.9375									
3	UCS315-300D1	3.0000									
80	UCS316D1	80	170	86	45	2.5	2	34	52	14	M14 × 1.5
3 1/8	UCS316-301D1	3.0625									
3 1/8	UCS316-302D1	3.1250	6.6929	3.3858	1.7717	0.098	0.079	1.339	2.047	0.551	1/8-18UNF
3 3/8	UCS316-303D1	3.1875									
85	UCS317D1	85	180	96	47	3	2.5	40	56	16	M16 × 1.5
3 1/4	UCS317-304D1	3.2500									
3 3/8	UCS317-305D1	3.3125	7.0866	3.7795	1.8504	0.118	0.098	1.575	2.205	0.630	3/8-18UNF
3 3/8	UCS317-307D1	3.4375									
90	UCS318D1	90	190	96	49	3	2.5	40	56	16	M16 × 1.5
3 3/8	UCS318-307D1	3.4375	7.4803	3.7795	1.9291	0.118	0.098	1.575	2.205	0.630	3/8-18UNF
3 1/2	UCS318-308D1	3.5000									

Remarks: 1) These numbers indicate relubricatable type. If maintenance free type is needed, please order without suffix "D1".

Nominal dimensions		Basic load ratings		Mass
mm d_1	inch F	N dynamic C_r	lbf static C_{or}	kg lb
82.7	6.7	82 000	52 000	2.70 6.27
3.2559	0.264	18 400	11 700	6.10 5.89 5.72
88.2	7.5	92 500	60 000	3.37 7.63
3.4724	0.295	20 800	13 400	7.41
94.8	7.5	104 000	68 000	4.03 9.37
3.7323	0.295	23 400	15 300	9.13 8.91
101.3	7.7	113 000	77 000	4.88 11.4
3.9882	0.303	25 500	17 400	11.1 10.9 10.6
107.9	7.8	123 000	86 500	5.74 13.0
4.2480	0.307	27 600	19 500	12.7 12.5
114.4	8.2	133 000	97 000	6.88 15.7
4.5039	0.323	29 800	21 800	15.4 14.7
120.9	8.5	143 000	107 000	7.80 17.8
4.7598	0.335	32 000	24 100	17.4

Ball bearings

Set screw type

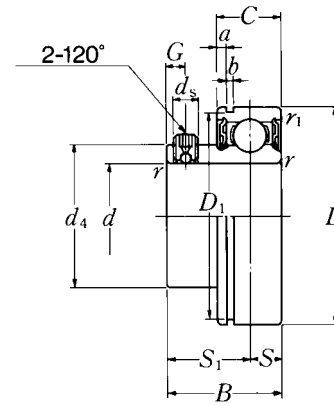


Shaft dia.	Bearing number ¹⁾	Nominal dimensions									
		<i>d</i>	<i>D</i>	<i>B</i>	<i>C</i>	mm <i>r_s</i> min.	inch <i>r_s</i> min.	<i>S</i>	<i>S₁</i>	<i>G</i>	<i>ds</i>
95	UCS319D1	95	200	103	51	3	2.5	41	62	16	M16 × 1.5
3^{3/8}	UCS319-310D1	3.6250									
3^{11/16}	UCS319-311D1	3.6875	7.8740	4.0551	2.0079	0.118	0.098	1.614	2.441	0.630	3/8-18UNF
3^{7/8}	UCS319-312D1	3.7500									
100	UCS320D1	100	215	108	55	3	2.5	42	66	18	M18 × 1.5
3^{11/16}	UCS320-313D1	3.8125									
3^{3/8}	UCS320-314D1	3.8750	8.4646	4.2520	2.1654	0.118	0.098	1.654	2.598	0.709	3/8-18UNF
3^{13/16}	UCS320-315D1	3.9375									
4	UCS320-400D1	4.0000									
105	UCS321D1	105	225	112	57	3	2.5	44	68	18	M18 × 1.5
110	UCS322D1	110	240	117	59	3	2.5	46	71	18	M18 × 1.5
120	UCS324D1	120	260	126	63	3	3	51	75	18	M18 × 1.5
130	UCS326D1	130	280	135	67	4	3	54	81	20	M20 × 1.5
140	UCS328D1	140	300	145	71	4	3	59	86	20	M20 × 1.5

Remarks: 1) These numbers indicate relubricatable type. If maintenance free type is needed, please order without suffix "D1".

Nominal dimensions		Basic load ratings		Mass
mm d_1	inch F	N dynamic C_r	lbf static C_{or}	kg lb
127.5	8.7	153 000	119 000	8.97 20.5
5.0197	0.343	34 500	26 600	20.1 19.7
135.6	9	173 000	141 000	11.1 25.4
5.3386	0.354	39 000	31 500	24.9 24.5 24.1
142.1	9.2	184 000	153 000	12.6
151.7	9	205 000	179 000	14.7
165.2	10	207 000	185 000	19.0
178.3	10.5	229 000	214 000	23.6
190.4	11.5	253 000	246 000	29.2

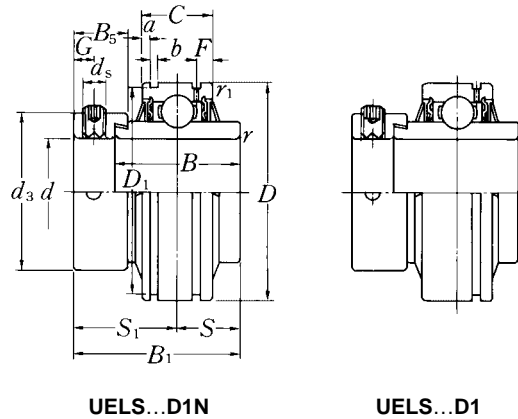
Ball bearings
Set screw type



Shaft dia. mm inch	Bearing number ¹⁾	Nominal dimensions										
		<i>d</i>	<i>D</i>	<i>B</i>	<i>C</i>	<i>r_s</i> mm min.	<i>r_s</i> inch min.	<i>S</i>	<i>S₁</i>	<i>G</i>	<i>d_s</i>	<i>d₁</i>
12 1/2	ASS201N ASS201-008N	12 0.5000	40 1.5748	22 0.8661	12 0.4724	0.6 0.024	0.6 0.024	6 0.236	16 0.630	4.2 0.165	M5 x 0.8 No.10-32UNF	24.3 0.957
15 5/8	ASS202N ASS202-009N ASS202-010N	15 0.5625 0.6250	40 1.5748	22 0.8661	12 0.4724	0.6 0.024	0.6 0.024	6 0.236	16 0.630	4.2 0.165	M5 x 0.8 No.10-32UNF	24.3 0.957
17 1 1/8	ASS203N ASS203-011N	17 0.6875	40 1.5748	22 0.8661	12 0.4724	0.6 0.024	0.6 0.024	6 0.236	16 0.630	4.2 0.165	M5 x 0.8 No.10-32UNF	24.3 0.957
20 3/4	ASS204N ASS204-012N	20 0.7500	47 1.8504	25 0.9843	14 0.5512	1 0.039	0.6 0.024	7 0.276	18 0.709	4.2 0.165	M5 x 0.8 No.10-32UNF	29.6 1.165
25 1 1/8 1 3/8 1 1/2 1	ASS205N ASS205-013N ASS205-014N ASS205-015N ASS205-100N	25 0.8125 0.8750 0.9375 1.0000	52 2.0472	27 1.0630	15 0.5906	1 0.039	0.6 0.024	7.5 0.295	19.5 0.768	5 0.197	M5 x 0.8 No.10-32UNF	33.9 1.335
30 1 1/8 1 1/4 1 3/8 1 1/2	ASS206N ASS206-101N ASS206-102N ASS206-103N ASS206-104N	30 1.0625 1.1250 1.1875 1.2500	62 2.4409	29 1.1417	16 0.6299	1 0.039	0.6 0.024	8 0.315	21 0.827	5 0.197	M6 x 0.75 1/4-28UNF	40.8 1.606
35 1 1/4 1 3/8 1 7/8 1 7/8	ASS207N ASS207-104N ASS207-105N ASS207-106N ASS207-107N	35 1.2500 1.3125 1.3750 1.4375	72 2.8346	34 1.3386	17 0.6693	1.5 0.059	0.6 0.024	8.5 0.335	25.5 1.004	6 0.236	M6 x 0.75 1/4-28UNF	46.8 1.843
40 1 1/2 1 3/4	ASS208N ASS208-108N ASS208-109N	40 1.5000 1.5625	80 3.1496	38 1.4961	18 0.7087	1.5 0.059	0.6 0.024	9 0.354	29 1.142	8 0.315	M8 x 1 3/8-24UNF	53 2.087

Nominal dimensions			Basic load ratings		Mass
D_1	mm a	inch b	N dynamic C_r	lbf static C_{or}	kg lb
38.1	1.98	1.5	9 600	4 600	0.12
1.500	0.078	0.059	2 160	1 030	0.24
38.1	1.98	1.5	9 600	4 600	0.11
1.500	0.078	0.059	2 160	1 030	0.23
					0.22
38.1	1.98	1.5	9 600	4 600	0.10
1.500	0.078	0.059	2 160	1 030	0.20
44.6	2.38	1.5	12 800	6 650	0.17
1.756	0.094	0.059	2 890	1 500	0.33
49.73	2.38	1.5	14 000	7 850	0.20
					0.46
1.958	0.094	0.059	3 150	1 770	0.44
					0.42
					0.39
59.61	3.18	2.05	19 500	11 300	0.31
					0.67
2.347	0.125	0.081	4 400	2 540	0.65
					0.63
					0.61
68.81	3.18	2.05	25 700	15 300	0.49
					1.18
2.709	0.125	0.081	5 750	3 450	1.05
					0.93
					0.81
76.81	3.18	2.05	29 100	17 800	0.50
					1.15
3.024	0.125	0.081	6 550	4 000	1.06
					1.06

Ball bearings
Eccentric locking collar type

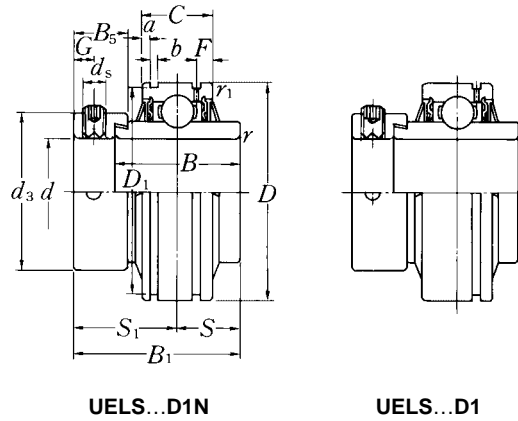


Shaft dia. mm inch	Bearing number ¹⁾	Nominal dimensions										
		<i>d</i>	<i>D</i>	<i>B</i> ₁	<i>B</i>	<i>C</i>	<i>r</i> _s min.	<i>r</i> _s min.	<i>S</i>	<i>S</i> ₁	<i>G</i>	
20 #4	UELS204LD1NW3 UELS204-012LD1NW3	20 0.7500	47 1.8504	43.7 1.720	34.2 1.3465	17 0.6693	1 0.039	0.6 0.024	17.1 0.673	26.6 1.047	4.8 0.189	
25 1#7/6 8/8 1#7/6 1	UELS205LD1NW3 UELS205-013LD1NW3 UELS205-014LD1NW3 UELS205-015LD1NW3 UELS205-100LD1NW3	25 0.8125 0.8750 0.9375 1.0000	52 2.0472	44.4 1.748	34.9 1.3740	17 0.6693	1 0.039	0.6 0.024	17.5 0.689	26.9 1.059	4.8 0.189	
30 1#7/6 1#8 1#7/6 1#4	UELS206LD1NW3 UELS206-101LD1NW3 UELS206-102LD1NW3 UELS206-103LD1NW3 UELS206-104LD1NW3	30 1.0625 1.1250 1.1875 1.2500	62 2.4409	48.4 1.906	36.5 1.4370	19 0.7480	1 0.039	1 0.039	18.3 0.720	30.1 1.185	6 0.236	
35 1#4 1#7/6 1#8 1#7/6	UELS207LD1NW3 UELS207-104LD1NW3 UELS207-105LD1NW3 UELS207-106LD1NW3 UELS207-107LD1NW3	35 1.2500 1.3125 1.3750 1.4375	72 2.8346	51.1 2.012	37.6 1.4803	20 0.7874	1.5 0.059	1.5 0.059	18.8 0.740	32.3 1.272	6.8 0.268	
40 1#2 1#7/6	UELS208LD1NW3 UELS208-108LD1NW3 UELS208-109LD1NW3	40 1.5000 1.5625	80 3.1496	56.3 2.217	42.8 1.6850	21 0.8268	1.5 0.059	1.5 0.059	21.4 0.843	34.9 1.374	6.8 0.268	
45 1#8 1#17/6 1#4	UELS209LD1NW3 UELS209-110LD1NW3 UELS209-111LD1NW3 UELS209-112LD1NW3	45 1.6250 1.6875 1.7500	85 3.3465	56.3 2.217	42.8 1.6850	22 0.8661	1.5 0.059	1.5 0.059	21.4 0.843	34.9 1.374	6.8 0.268	
50 1#17/6 1#8 1#17/6 2	UELS210LD1NW3 UELS210-113LD1NW3 UELS210-114LD1NW3 UELS210-115LD1NW3 UELS210-200LD1NW3	50 1.8125 1.8750 1.9375 2.0000	90 3.5433	62.7 2.469	49.2 1.9370	24 0.9449	1.5 0.059	1.5 0.059	24.6 0.969	38.1 1.500	6.8 0.268	

Remarks: 1) These numbers indicate relubricatable type. If maintenance free type is needed, please order without suffix "D1".

Nominal dimensions							Basic load ratings		Mass
d_s	d_s	mm B_s	inch D_1	a	b	F	N dynamic C_r	lbf static C_{or}	kg lb
M6 × 0.75	33	13.5	44.6	3.1	1.5	4	12 800	6 650	0.23
¼-28UNF	1.299	0.531	1.756	0.122	0.059	0.157	2 890	1 500	0.45
M6 × 0.75	38	13.5	49.73	3.2	1.5	4.1	14 000	7 850	0.27
¼-28UNF	1.496	0.531	1.958	0.126	0.059	0.161	3 150	1 770	0.61
									0.58
									0.55
									0.51
M8 × 1	44.5	15.9	59.61	3.2	2.05	4.2	19 500	11 300	0.45
¾-24UNF	1.752	0.626	2.347	0.126	0.081	0.165	4 400	2 540	0.94
									0.89
									0.84
									0.80
M10 × 1.25	55.5	17.5	68.81	3.3	2.05	5	25 700	15 300	0.60
⅝-24UNF	2.185	0.689	2.709	0.130	0.081	0.197	5 750	3 450	1.45
									1.40
									1.35
									1.28
M10 × 1.25	60	18.3	76.81	3.4	2.05	5	29 100	17 800	0.79
⅝-24UNF	2.362	0.720	3.024	0.134	0.081	0.197	6 550	4 000	1.90
									1.82
M10 × 1.25	63.5	18.3	81.81	3.5	2.05	5.1	32 500	20 400	0.85
⅝-24UNF	2.500	0.720	3.221	0.138	0.081	0.201	7 350	4 600	2.05
									1.97
									1.88
M10 × 1.25	69.5	18.3	86.79	3.7	2.85	5.6	35 000	23 200	0.98
⅝-24UNF	2.736	0.720	3.417	0.146	0.112	0.220	7 900	5 200	2.46
									2.36
									2.25
									2.09

Ball bearings
Eccentric locking collar type

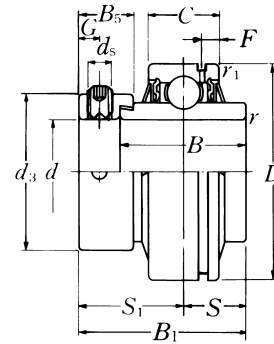


Shaft dia. mm inch	Bearing number ¹⁾	Nominal dimensions									
		<i>d</i>	<i>D</i>	<i>B₁</i>	<i>B</i>	<i>C</i>	<i>r_s</i> min.	<i>r_s</i> min.	<i>S</i>	<i>S₁</i>	<i>G</i>
55	UELS211LD1NW3	55	100	71.4	55.5	25	2	2	27.8	43.6	8
2	UELS211-200LD1NW3	2.0000									
2 1/16	UELS211-201LD1NW3	2.0625	3.9370	2.811	2.1850	0.9843	0.079	0.079	1.094	1.717	0.315
2 1/8	UELS211-202LD1NW3	2.1250									
2 3/16	UELS211-203LD1NW3	2.1875									
60	UELS212LD1NW3	60	110	77.8	61.9	27	2	2	31	46.8	8
2 1/4	UELS212-204LD1NW3	2.2500									
2 5/16	UELS212-205LD1NW3	2.3125	4.3307	3.063	2.4370	1.0630	0.079	0.079	1.220	1.843	0.315
2 3/8	UELS212-206LD1NW3	2.3750									
2 7/16	UELS212-207LD1NW3	2.4375									

Remarks: 1) These numbers indicate relubricatable type. If maintenance free type is needed, please order without suffix "D1".

Nominal dimensions							Basic load ratings		Mass
d_s	d_s	mm B_s	inch D_1	a	b	F	N dynamic C_r	lbf static C_{or}	kg lb
M10 × 1.25	76	20.7	96.80	4.4	2.85	5.9	43 500	29 200	1.32 3.28
#8-24UNF	2.992	0.815	3.811	0.173	0.112	0.232	9 750	6 550	3.12 3.02 2.90
M10 × 1.25	84	22.3	106.81	4.4	2.85	6	52 500	36 000	1.93 4.50
#8-24UNF	3.307	0.878	4.205	0.173	0.112	0.236	11 800	8 150	4.34 4.17 4.00

Ball bearings
Eccentric locking collar type

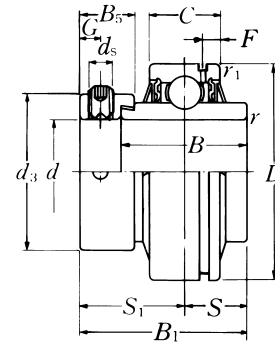


Shaft dia.	Bearing number ¹⁾	Nominal dimensions										
		<i>d</i>	<i>D</i>	<i>B_i</i>	<i>B</i>	<i>C</i>	<i>r_s</i> mm	<i>r_s</i> inch	<i>S</i>	<i>S₁</i>	<i>G</i>	<i>ds</i>
25	UELS305D1W3	25	62	46.8	34.9	20	1.5	0.6	16.7	30.1	6	M8 × 1
1 ¹ / ₁₆	UELS305-013D1W3	0.8125										
3 ¹ / ₁₆	UELS305-014D1W3	0.8750	2.4409	1.843	1.3740	0.7874	0.059	0.024	0.657	1.185	0.236	3 ¹ / ₁₆ -24UNF
1 ¹ / ₈	UELS305-015D1W3	0.9375										
1	UELS305-100D1W3	1.0000										
30	UELS306D1W3	30	72	50	36.5	23	1.5	1	17.5	32.5	6.7	M8 × 1
1 ¹ / ₁₆	UELS306-101D1W3	1.0625										
1 ¹ / ₈	UELS306-102D1W3	1.1250	2.8346	1.969	1.4370	0.9055	0.059	0.039	0.689	1.280	0.264	3 ¹ / ₁₆ -24UNF
1 ¹ / ₄	UELS306-103D1W3	1.1875										
35	UELS307D1W3	35	80	51.6	38.1	25	2	1	18.3	33.3	6.7	M8 × 1
1 ¹ / ₄	UELS307-104D1W3	1.2500										
1 ¹ / ₈	UELS307-105D1W3	1.3125	3.1496	2.031	1.5000	0.9843	0.079	0.039	0.720	1.311	0.264	3 ¹ / ₁₆ -24UNF
1 ¹ / ₂	UELS307-106D1W3	1.3750										
1 ³ / ₈	UELS307-107D1W3	1.4375										
40	UELS308D1W3	40	90	57.1	41.3	27	2	1	19.8	37.3	8	M10 × 1.25
1 ¹ / ₂	UELS308-108D1W3	1.5000	3.5433	2.248	1.6260	1.0630	0.079	0.039	0.780	1.469	0.315	3 ¹ / ₈ -24UNF
1 ³ / ₈	UELS308-109D1W3	1.5625										
45	UELS309D1W3	45	100	58.7	42.9	29	2	1	19.8	38.9	8	M10 × 1.25
1 ³ / ₈	UELS309-110D1W3	1.6250										
1 ¹ / ₁₆	UELS309-111D1W3	1.6875	3.9370	2.311	1.6890	1.1417	0.079	0.039	0.780	1.531	0.315	3 ¹ / ₈ -24UNF
1 ¹ / ₄	UELS309-112D1W3	1.7500										
50	UELS310D1W3	50	110	66.6	49.2	32	2.5	1.5	24.6	42	8.7	M10 × 1.25
1 ¹ / ₁₆	UELS310-113D1W3	1.8125										
1 ³ / ₈	UELS310-114D1W3	1.8750	4.3307	2.622	1.9370	1.2598	0.098	0.059	0.969	1.654	0.343	3 ¹ / ₈ -24UNF
1 ¹ / ₂	UELS310-115D1W3	1.9375										
55	UELS311D1W3	55	120	73	55.6	34	2.5	1.5	27.8	45.2	8.7	M10 × 1.25
2	UELS311-200D1W3	2.0000										
2 ¹ / ₁₆	UELS311-201D1W3	2.0625	4.7244	2.874	2.1890	1.3386	0.098	0.059	1.094	1.780	0.343	3 ¹ / ₈ -24UNF
2 ¹ / ₈	UELS311-202D1W3	2.1250										
2 ³ / ₁₆	UELS311-203D1W3	2.1875										

Remarks: 1) These numbers indicate relubricatable type. If maintenance free type is needed, please order without suffix "D1".

Nominal dimensions			Basic load ratings		Mass
d_3	mm B_3	inch F	N dynamic C_r	lbf static C_{or}	kg lb
42.8	15.9	4.3	21 200	10 900	0.45 1.13
1.685	0.626	0.169	4 750	2 460	1.09 1.05 1.00
50	17.5	5.1	26 700	15 000	0.71 1.62
1.969	0.689	0.201	6 000	3 400	1.56 1.50
55	17.5	5.3	33 500	19 100	0.83 1.99
2.165	0.689	0.209	7 500	4 300	1.91 1.84 1.76
63.5	20.6	5.6	40 500	24 000	1.12 2.67
2.500	0.811	0.220	9 150	5 400	2.58
70	20.6	5.8	53 000	32 000	1.50 3.26
2.756	0.811	0.228	11 900	7 200	3.37 3.26
76.2	22.2	6.3	62 000	38 500	1.93 4.55
3.000	0.874	0.248	13 900	8 600	4.44 4.30
83	22.2	6.5	71 500	45 000	2.42 5.76
3.268	0.874	0.256	16 100	10 100	5.57 5.43 5.26

Ball bearings
Eccentric locking collar type

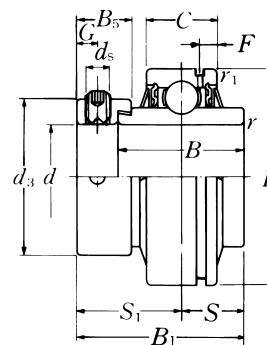


Shaft dia. mm inch	Bearing number ¹⁾	Nominal dimensions										
		<i>d</i>	<i>D</i>	<i>B_i</i>	<i>B</i>	<i>C</i>	<i>r_s</i> mm	<i>r_s</i> inch	<i>S</i>	<i>S_i</i>	<i>G</i>	<i>ds</i>
60	UELS312D1W3	60	130	79.4	61.9	36	2.5	1.5	30.95	48.45	8.7	M10 × 1.25
21/4	UELS312-204D1W3	2.2500										
2 3/16	UELS312-205D1W3	2.3125	5.1181	3.126	2.4370	1.4173	0.098	0.059	1.219	1.907	0.343	#8-24UNF
2 3/8	UELS312-206D1W3	2.3750										
2 7/16	UELS312-207D1W3	2.4375										
65	UELS313D1W3	65	140	85.7	65.1	39	2.5	2	32.55	53.15	10.3	M12 × 1.5
2 1/2	UELS313-208D1W3	2.5000	5.5118	3.374	2.5630	1.5354	0.098	0.079	1.281	2.093	0.406	!2-20UNF
2 7/16	UELS313-209D1W3	2.5625										
70	UELS314D1W3	70	150	92.1	68.3	41	2.5	2	34.15	57.95	10.3	M12 × 1.5
2 3/8	UELS314-210D1W3	2.6250										
2 1 1/16	UELS314-211D1W3	2.6875	5.9055	3.626	2.6890	1.6142	0.098	0.079	1.344	2.281	0.406	!2-20UNF
2 3/4	UELS314-212D1W3	2.7500										
75	UELS315D1W3	75	160	100	74.6	43	2.5	2	37.3	62.7	12.7	M16 × 1.5
2 1 1/16	UELS315-213D1W3	2.8125										
2 3/8	UELS315-214D1W3	2.8750	6.2992	3.937	2.9370	1.6929	0.098	0.079	1.469	2.469	0.500	3/8-18UNF
2 1 1/16	UELS315-215D1W3	2.9375										
3	UELS315-300D1W3	3.0000										
80	UELS316D1W3	80	170	106.4	81	45	2.5	2	40.5	65.9	12.7	M16 × 1.5
3 1/16	UELS316-301D1W3	3.0625										
3 1/8	UELS316-302D1W3	3.1250	6.6929	4.189	3.1890	1.7717	0.098	0.079	1.594	2.594	0.500	3/8-18UNF
3 3/16	UELS316-303D1W3	3.1875										
85	UELS317D1W3	85	180	109.5	84.1	47	3	2.5	42.05	67.45	12.7	M16 × 1.5
3 1/4	UELS317-304D1W3	3.2500										
3 3/16	UELS317-305D1W3	3.3125	7.0866	4.311	3.3110	1.8504	0.118	0.098	1.656	2.656	0.500	3/8-18UNF
3 7/16	UELS317-307D1W3	3.4375										
90	UELS318D1W3	90	190	115.9	87.3	49	3	2.5	43.65	72.25	14.3	M20 × 1.5
3 3/16	UELS318-307D1W3	3.4375	7.4803	4.563	3.4370	1.9291	0.118	0.098	1.719	2.844	0.563	#4-16UNF
3 1/2	UELS318-308D1W3	3.5000										

Remarks: 1) These numbers indicate relubricatable type. If maintenance free type is needed, please order without suffix "D1".

Nominal dimensions			Basic load ratings		Mass
<i>d</i> _s	mm <i>B</i> _s	inch <i>F</i>	N dynamic <i>C</i> _r	lbf static <i>C</i> _{or}	kg lb
89	23.9	6.7	82 000	52 000	3.04 7.01
3.504	0.941	0.264	18 400	11 700	6.86 6.69 6.40
97	27	7.5	92 500	60 000	3.79 8.76
3.819	1.063	0.295	20 800	13 400	8.55
102	30.2	7.5	104 000	68 000	4.54 10.7
4.016	1.189	0.295	23 400	15 300	10.5 10.2
113	31.8	7.7	113 000	77 000	5.50 13.5
4.449	1.252	0.303	25 500	17 400	13.2 13.0 12.9
119	31.8	7.8	123 000	86 500	6.89 15.3
4.685	1.252	0.307	27 600	19 500	15.0 15.3
127	31.8	8.2	133 000	97 000	8.21 18.2
5.000	1.252	0.323	29 800	21 800	17.9 17.2
133	36.5	8.5	143 000	107 000	9.34 21.2
5.236	1.437	0.335	32 000	24 100	20.7

Ball bearings
Eccentric locking collar type

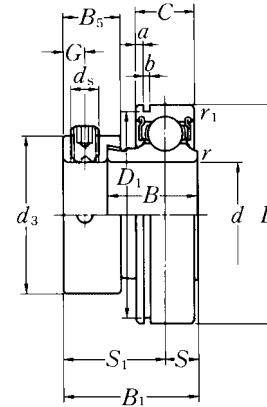


Shaft dia.	Bearing number ¹⁾	Nominal dimensions										
		<i>d</i>	<i>D</i>	<i>B</i> ₁	<i>B</i>	<i>C</i>	<i>r</i> _s mm	<i>r</i> _s inch	<i>S</i>	<i>S</i> ₁	<i>G</i>	<i>ds</i>
95	UELS319D1W3	95	200	122.3	93.7	51	3	2.5	38.9	83.4	14.3	M20 × 1.5
3/8	UELS319-310D1W3	3.6250										
3/16	UELS319-311D1W3	3.6875	7.8740	4.815	3.6890	2.0079	0.118	0.098	1.531	3.283	0.563	#4-16UNF
3/4	UELS319-312D1W3	3.7500										
100	UELS320D1W3	100	215	128.6	100	55	3	2.5	50	78.6	14.3	M20 × 1.5
3/16	UELS320-313D1W3	3.8125										
3/8	UELS320-314D1W3	3.8750	8.4646	5.063	3.9370	2.1654	0.118	0.098	1.969	3.094	0.563	#4-16UNF
3/16	UELS320-315D1W3	3.9375										
4	UELS320-400D1W3	4.0000										
105	UELS321D1W3	105	225	139.7	104.8	57	3	2.5	48.4	91.3	17.5	M20 × 1.5
110	UELS322D1W3	110	240	141.3	106.4	59	3	2.5	49.2	92.1	17.5	M20 × 1.5

Remarks: 1) These numbers indicate relubricatable type. If maintenance free type is needed, please order without suffix "D1".

Nominal dimensions			Basic load ratings		Mass
d_3	mm B_3	inch F	N dynamic C_r	lbf static C_{or}	kg lb
140	36.5	8.7	153 000	119 000	10.7 24.0
5.512	1.437	0.343	34 500	26 600	23.6 23.2
146	36.5	9	173 000	141 000	13.3 29.2
5.748	1.437	0.354	39 000	31 500	28.7 28.3 27.8
157	42.8	9.2	184 000	153 000	15.0
168	42.8	9	205 000	179 000	17.6

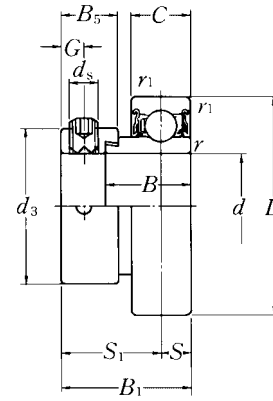
Ball bearings
Eccentric locking collar type



Shaft dia. mm inch	Bearing number	Nominal dimensions										
		<i>d</i>	<i>D</i>	<i>B_i</i>	<i>B</i>	<i>C</i>	<i>r_s</i> mm min.	<i>r_s</i> inch min.	<i>S</i>	<i>S_i</i>	<i>G</i>	<i>ds</i>
12 1/2	AELS201NW3	12	40	28.6	19	12	0.6	0.6	6.5	22.1	4.8	M6 × 0.75
	AELS201-008NW3	0.5000	1.5748	1.126	0.7480	0.4724	0.024	0.024	0.256	0.870	0.189	1/4-28UNF
15 5/8	AELS202NW3	15	40	28.6	19	12	0.6	0.6	6.5	22.1	4.8	M6 × 0.75
	AELS202-009NW3	0.5625	1.5748	1.126	0.7480	0.4724	0.024	0.024	0.256	0.870	0.189	1/4-28UNF
	AELS202-010NW3	0.6250										
17 1 1/8	AELS203NW3	17	40	28.6	19	12	0.6	0.6	6.5	22.1	4.8	M6 × 0.75
	AELS203-011NW3	0.6875	1.5748	1.126	0.7480	0.4724	0.024	0.024	0.256	0.870	0.189	1/4-28UNF
20 3/4	AELS204NW3	20	47	31	21.5	14	1	0.6	7.5	23.5	4.8	M6 × 0.75
	AELS204-012NW3	0.7500	1.8504	1.220	0.8465	0.5512	0.039	0.024	0.295	0.925	0.189	1/4-28UNF
25 1 3/8 1 1/4 1	AELS205NW3	25	52	31	21.5	15	1	0.6	7.5	23.5	4.8	M6 × 0.75
	AELS205-013NW3	0.8125										
	AELS205-014NW3	0.8750	2.0472	1.220	0.8465	0.5906	0.039	0.024	0.295	0.925	0.189	1/4-28UNF
	AELS205-015NW3	0.9375										
30 1 1/8 1 1/8 1 3/8 1 1/4	AELS206NW3	30	62	35.7	23.8	16	1	0.6	9	26.7	6	M8 × 1
	AELS206-101NW3	1.0625										
	AELS206-102NW3	1.1250	2.4409	1.406	0.9370	0.6299	0.039	0.024	0.354	1.051	0.236	3/8-24UNF
	AELS206-103NW3	1.1875										
35 1 1/4 1 3/8 1 3/8 1 7/8	AELS207NW3	35	72	38.9	25.4	17	1.5	0.6	9.5	29.4	6.8	M10 × 1.25
	AELS207-104NW3	1.2500										
	AELS207-105NW3	1.3125	2.8346	1.531	1.0000	0.6693	0.059	0.024	0.374	1.157	0.268	3/8-24UNF
	AELS207-106NW3	1.3750										
40 1 1/2 1 3/8	AELS207-107NW3	1.4375										
	AELS208NW3	40	80	43.7	30.2	18	1.5	0.6	11	32.7	6.8	M10 × 1.25
	AELS208-108NW3	1.5000	3.1496	1.720	1.1890	0.7087	0.059	0.024	0.433	1.287	0.268	3/8-24UNF
	AELS208-109NW3	1.5625										

Nominal dimensions					Basic load ratings		Mass
d_b	mm D_1	inch a	b	B_3	N dynamic C_r	lbf static C_{0r}	kg lb
29 1.142	38.1 1.500	1.98 0.078	1.5 0.059	13.6 0.535	9 600 2 160	4 600 1 030	0.12 0.26
29 1.142	38.1 1.500	1.98 0.078	1.5 0.059	13.6 0.535	9 600 2 160	4 600 1 030	0.11 0.26 0.24
29 1.142	38.1 1.500	1.98 0.078	1.5 0.059	13.6 0.535	9 600 2 160	4 600 1 030	0.10 0.23
33 1.299	44.6 1.756	2.38 0.094	1.5 0.059	13.5 0.531	12 800 2 890	6 650 1 500	0.17 0.35
38 1.496	49.73 1.958	2.38 0.094	1.5 0.059	13.5 0.531	14 000 3 150	7 850 1 770	0.20 0.51 0.48 0.45 0.42
44.5 1.752	59.61 2.347	3.18 0.125	2.05 0.081	15.9 0.626	19 500 4 400	11 300 2 540	0.31 0.74 0.73 0.66 0.61
55.5 2.185	68.81 2.709	3.18 0.125	2.05 0.081	17.5 0.689	25 700 5 750	15 300 3 450	0.49 1.15 1.10 1.04 0.98
60 2.362	76.81 3.024	3.18 0.125	2.05 0.081	18.3 0.720	29 100 6 550	17 800 4 000	0.66 1.41 1.34

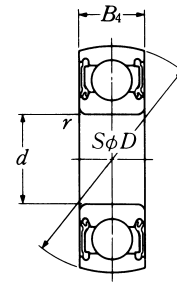
Ball bearings
Eccentric locking collar type



Shaft dia. mm inch	Bearing number	Nominal dimensions										
		<i>d</i>	<i>D</i>	<i>B₁</i>	<i>B</i>	<i>C</i>	<i>r_s</i> mm min.	<i>r_s</i> inch min.	<i>S</i>	<i>S₁</i>	<i>G</i>	<i>d_s</i>
12 1/2	JELS201W3 JELS201-008W3	12 0.5000	40 1.5748	28.6 1.126	19 0.7480	13 0.5118	0.6 0.024	0.4 0.016	6.5 0.256	22.1 0.870	4.8 0.189	M6 × 0.75 #4-28UNF
15 5/8 3/8	JELS202W3 JELS202-009W3 JELS202-010W3	15 0.5625 0.6250	40 1.5748	28.6 1.126	19 0.7480	13 0.5118	0.6 0.024	0.4 0.016	6.5 0.256	22.1 0.870	4.8 0.189	M6 × 0.75 #4-28UNF
17 1 1/8	JELS203W3 JELS203-011W3	17 0.6875	40 1.5748	28.6 1.126	19 0.7480	13 0.5118	0.6 0.024	0.4 0.016	6.5 0.256	22.1 0.870	4.8 0.189	M6 × 0.75 #4-28UNF
20 3/4	JELS204W3 JELS204-012W3	20 0.7500	47 1.8504	31 1.220	21.5 0.8465	15 0.5906	1 0.039	0.6 0.024	7.5 0.295	23.5 0.925	4.8 0.189	M6 × 0.75 #4-28UNF
25 1 3/8 3/8 1 3/8 1	JELS205W3 JELS205-013W3 JELS205-014W3 JELS205-015W3 JELS205-100W3	25 0.8125 0.8750 0.9375 1.0000	52 2.0472	31 1.220	21.5 0.8465	15 0.5906	1 0.039	0.6 0.024	7.5 0.295	23.5 0.925	4.8 0.189	M6 × 0.75 #4-28UNF
30 1 1/8 1 1/8 1 3/8 1 1/4	JELS206W3 JELS206-101W3 JELS206-102W3 JELS206-103W3 JELS206-104W3	30 1.0625 1.1250 1.1875 1.2500	62 2.4409	35.7 1.406	23.8 0.9370	18 0.7087	1 0.039	1 0.039	9 0.354	26.7 1.051	6 0.236	M8 × 1 3/8-24UNF
35 1 1/4 1 3/8 1 3/8 1 3/8	JELS207W3 JELS207-104W3 JELS207-105W3 JELS207-106W3 JELS207-107W3	35 1.2500 1.3125 1.3750 1.4375	72 2.8346	38.9 1.531	25.4 1.0000	19 0.7480	1.5 0.059	1.5 0.059	9.5 0.374	29.4 1.157	6.8 0.268	M10 × 1.25 #8-24UNF
40 1 1/2 1 3/8	JELS208W3 JELS208-108W3 JELS208-109W3	40 1.5000 1.5625	80 3.1496	43.7 1.720	30.2 1.1890	22 0.8661	1.5 0.059	1.5 0.059	11 0.433	32.7 1.287	6.8 0.268	M10 × 1.25 #8-24UNF

Nominal dimensions		Basic load ratings		Mass
mm <i>d_s</i>	inch <i>B_s</i>	N dynamic <i>C_r</i>	lbf static <i>C_{0r}</i>	kg lb
29 1.142	13.6 0.535	9 600 2 160	4 600 1 030	0.13 0.28
29 1.142	13.6 0.535	9 600 2 160	4 600 1 030	0.13 0.26 0.24
29 1.142	13.6 0.535	9 600 2 160	4 600 1 030	0.10 0.22
33 1.299	13.5 0.531	12 800 2 890	6 650 1 500	0.18 0.42
38 1.496	13.5 0.531	14 000 3 150	7 850 1 770	0.20 0.54 0.51 0.48 0.44
44.5 1.752	15.9 0.626	19 500 4 400	11 300 2 540	0.34 0.84 0.79 0.75 0.70
55.5 2.185	17.5 0.689	25 700 5 750	15 300 3 450	0.53 1.29 1.24 1.18 1.12
60 2.362	18.3 0.720	29 100 6 550	17 800 4 000	0.71 1.64 1.57

Ball bearings



Shaft dia. mm	Bearing number	Nominal dimensions				Basic load ratings		Mass	
		d	mm D	inch B_1	$r_s^{1)}$ min.	N dynamic C_r	lbf static C_{or}	kg	lb
10	CS200LLU	10	30	9	0.6	3 950	2 250	0.03	
		0.3937	1.1811	0.354	0.024	885	505	0.07	
12	CS201LLU	12	32	10	0.6	4 700	2 640	0.04	
		0.4724	1.2598	0.394	0.024	1 050	595	0.09	
15	CS202LLU	15	35	11	0.6	5 950	3 450	0.04	
		0.5906	1.3780	0.433	0.024	1 340	775	0.09	
17	CS203LLU	17	40	12	0.6	7 400	4 400	0.06	
		0.6693	1.5748	0.472	0.024	1 660	985	0.13	
20	CS204LLU	20	47	14	1	9 900	6 250	0.10	
		0.7874	1.8504	0.551	0.039	2 220	1 410	0.22	
25	CS205LLU	25	52	15	1	10 800	7 150	0.13	
		0.9843	2.0472	0.591	0.039	2 430	1 610	0.29	
30	CS206LLU	30	62	16	1	15 000	10 300	0.20	
		1.1811	2.4409	0.630	0.039	3 350	2 320	0.44	
35	CS207LLU	35	72	17	1.5	19 700	14 000	0.29	
		1.3780	2.8346	0.669	0.059	4 450	3 150	0.64	
40	CS208LLU	40	80	18	1.5	22 400	16 200	0.37	
		1.5748	3.1496	0.709	0.059	5 050	3 650	0.82	

Note: Symbols

 Δd_{mp} : Mean bore diameter deviation ΔB_s : Inner ring width deviation ΔC_s : Outer ring width deviation

